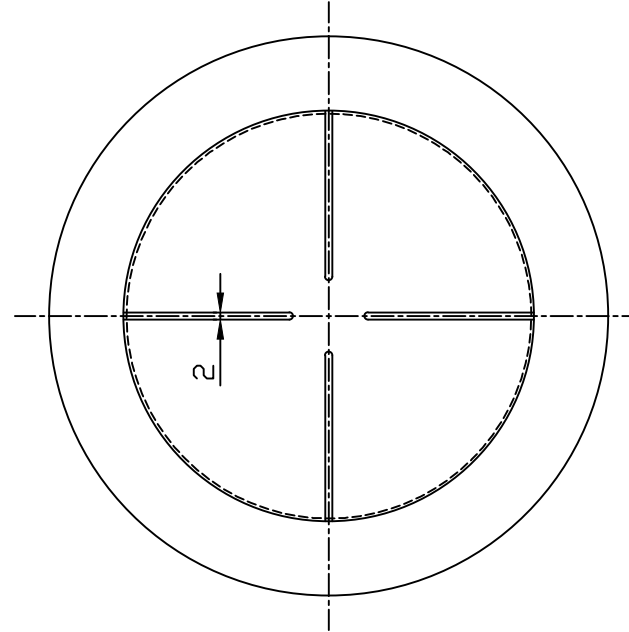
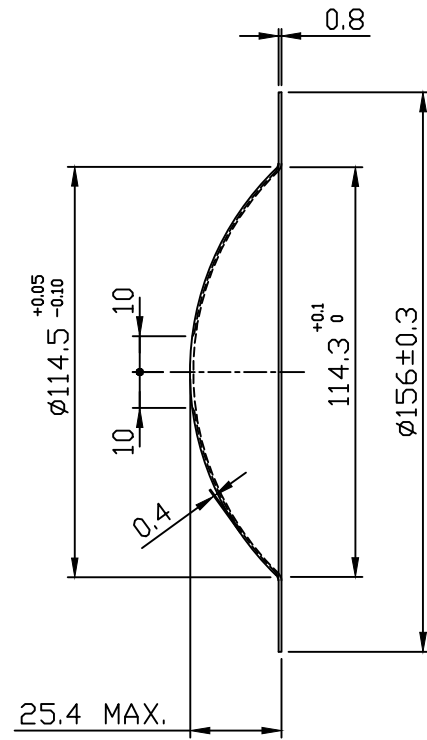


FIRST ANGLE PROJECTION

(ALL DIMENSIONS ARE IN mm)

DRG. NO. 35171000519

BURST PRESSURE - 4KG/CM² G AT AMBIENT.
BURST TOLERANCES - ±5%



VAR NO	REMARKS	VAR. NO.	ITEM NO	DESCRIPTION	STD.	DRAWING NO.	IT.NO	MATL. CODE	A	UNIT	QTY.	G.S.	ZONE
			001	RUPTURE DIAPHRAGM				SG 16019		KG.	0.050	-	-
							VAR	MATL. SPECN.	C				

51710\35171000519-R01-S01

INVENTORY NO. SIGN. & DATE REF. DRG. NO.

ADDITIONAL INFORMATION mRikn dk i-dkj ;k xk-gd@if;kstuk dk uke TYPE OF PRODUCT OR NAME OF CUSTOMER/PROJECT			GVM-36		
STATUS OF DRAWING B			HAKjr gsoh bysfDV&dYI fyfeVslm HAKsiky BHARAT HEAVY ELECTRICALS LTD. BHOPAL		
DISTRIBUTION OF PRINTS			uke@NAME G.PRASAD		
□/C	SWM	TCX	gLrk@SIGN	fnaukd@DATE	osfj_ dh la[;k NO. OF VAR
1	3	1	Sd/-	08.03.94	
			tWpk CKD	02.07.94	
			vugksfnr APPD	04.10.94	
REV.	DATE	ALTERED	foHAKg DEPT	vu_ Vky_ uki dh Js.kh UNTOL.DIMS. GR.	vuglkr SCALE
01	10.12.03	CHECKED APPROVED H.R.P.	SWE	M	1:2
DRG. REDRAWN. (DCA. NO. 20558)			HAkj fd_xk-WEIGHT (K.G.)	vis_ M&kbZax dk lanHAZ REF. TO ASSY. DRG.	en d-- ITEM NO.
			409	AA0230208	024
			'kh"AZ@ELE	vkjs[A d--DRAWING NO. 35171000519	
			RUPTURE DIAPHRAGM		
			i="B d--6@. No.01		i="Bksa dh la[;k@. OF SHT.01