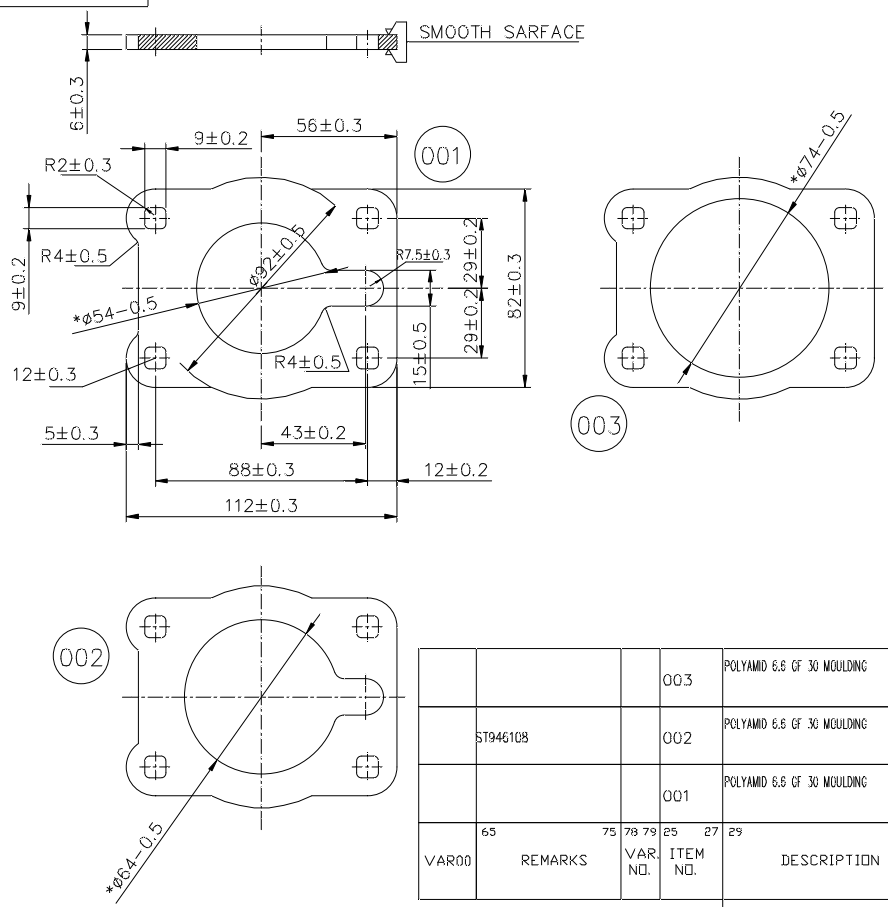


THE INFORMATION ON THIS DOCUMENT IS THE PROPERTY OF BHARAT HEAVY ELECTRICALS LIMITED IT MUST NOT BE USED DIRECTLY OR INDIRECTLY IN ANY WAY DETRIMENTAL TO THE INTEREST OF THE COMPANY

FIRST ANGLE PROJECTION

(ALL DIMENSIONS ARE IN mm)

DRG. NO. 3 521 10 01623




NOTES: -

1. THE MATERIAL SHALL BE SUITABLE FOR CONTINUOUS WORKING TEMP. OF 120°C
2. MATERIAL SHALL BE FIRE RETARDENT.

* THIS SURFACE SHOULD BE FREE FROM BURRS. COLOUR-BLACK

VAR00	REMARKS	VAR NO.	ITEM NO.	DESCRIPTION	STD	DRAWING NO.	29	31	34	45	55	58	65	72
		003		POLYAMID 6.6 GF 30 MOULDING						SG12719	NA			
		002		POLYAMID 6.6 GF 30 MOULDING						SG12719	NA			
		001		POLYAMID 6.6 GF 30 MOULDING						SG12719	NA			

INVENTORY NO. SIGN. & DATE REF. DRG. NO.

28 → CARD TYPE-3		28 → CARD TYPE-1		28 → CARD TYPE-2				
ADDITIONAL INFORMATION				mRlkn dk i-dkj:k xk-gd@fj;kstuk dk uke TYPE OF PRODUCT OR NAME OF CUSTOMER/PROJECT				
STATUS OF DRAWING				VCB				
DISTRIBUTION OF PRINTS				 HAKjr gsoh bysfDV&dYl fyfeVsm HAKsiky BHARAT HEAVY ELECTRICALS LTD. BHOPAL				
0. COPY-----1 SWM-----3 TCX-----1				DPK Sd/- MZG Sd/- SMM Sd/-				
REV. 03	DATE 23.11.04	ALTERED CHECKED APPROVED RM	REV. 02	DATE 5.7.89	ALTERED CHECKED APPROVED Sd/-	fghAx DEPT SWE wu_vky_uki dh js.kh UNTOL.DIMS. GR. dksM CODE 409	vuqkr SCALE 1:2 HAKj fd_xk-WEIGHT (KG.) 35211001682	vls_MArkbZox dk lonHAZ REF. TO ASSY. DRG. en d- ITEM NO. 061 en_lq;k NO. OF ITEM 003
DRG. REDRAWN. (DCA NO. 21630)		MATL. SPECN FOR ITS. 001 TO 003 & ST 946108 FOR IT.002 ADDED. (DCA G7760)		CENTRE RING		DRAWING NO. 3 521 10 01623		i="B d- No 01 i="Bkso dh la; OF SHT. 01