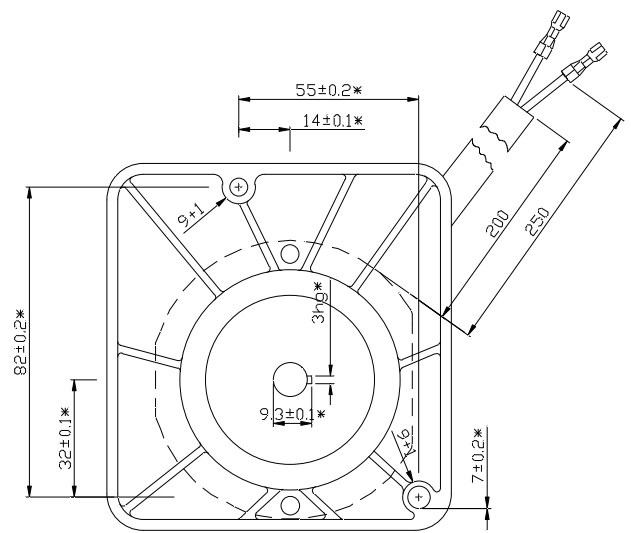
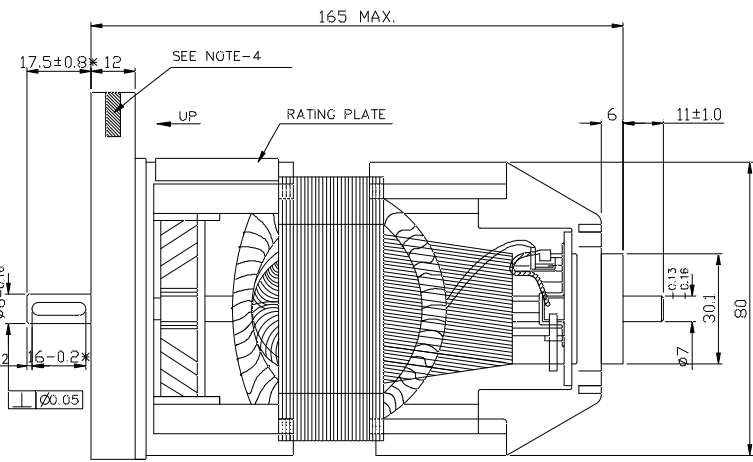
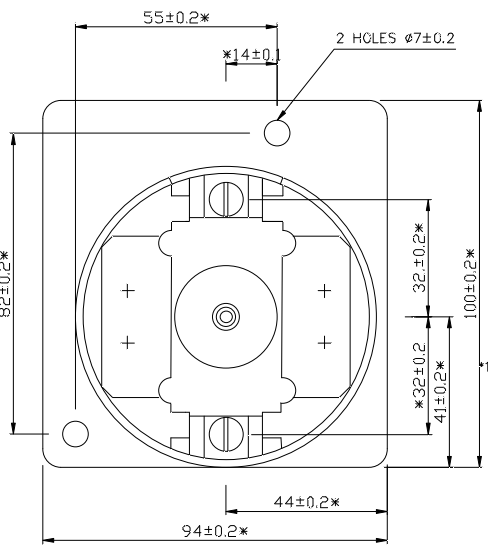
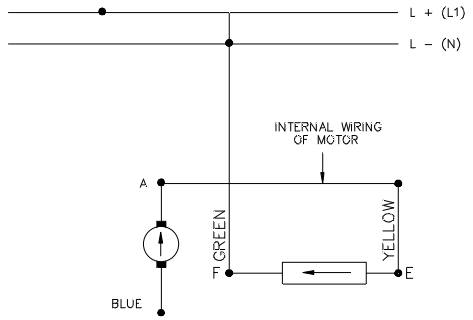


DRG. NO. 35211001915



- NOTE :-**
- REF. PRODUCT STANDARD SG 12710 FOR DETAILS OF RATING, MANUFACTURING & QUALITY INSTRUCTIONS.
  - DIM. MARKED THUS \* ARE CRITICAL, FOR OTHER DIM. SUPPLIER SHOULD GET APPROVAL IN CASE OF DEVIATIONS.
  - SHAPE OF MOTOR SHOWN IS TYPICAL.
  - COLOR CODING FOR IDENTIFICATION FOR 220V MOTOR : RED PAINT.  
FOR 110V MOTOR : GREEN PAINT



FOR ITEM 001 & 002  
(FOR DC MOTORS)

BP9049123422	002	MOTOR 110V DC	SG 12710	1.520	001			
BP9049123414	001	MOTOR 220VDC/230VAC	SG 12710	1.520	001			
VAR. CG	REMARKS	VAR. NO.	ITEM NO.	DESCRIPTION	DRAWING NO.	UNIT WT.	QTY.	ZONE

ADDITIONAL INFORMATION		TYPE OF PRODUCT OR NAME OF CUSTOMER/PROJECT		VN /VM /BVM /PVN	
STATUS OF DRAWING		DISTRIBUTION OF PRINTS		DISTRIBUTION OF PRINTS	
O/C - 1		SMGR. PROD - 3		TCX - 1	
REV.	DATE	ALTERED CHECKED APPD.	REV.	DATE	ALTERED CHECKED APPD.
REV.	DATE	ALTERED CHECKED APPD.	REV.	DATE	ALTERED CHECKED APPD.
DEPT. SWE		UNTO. DIMS. GR.		SCALE	
CODE 409		DIM. C/M/F		1:1	
TITLE		DRAWING NO.		REV.	
MOTOR		35211001915		00	
SHT. NO. 01		NG. GF. SHT. 01			

THE INFORMATION ON THIS DOCUMENT IS THE PROPERTY OF BHARAT HEAVY ELECTRICALS LIMITED. IT MUST NOT BE USED DIRECTLY OR INDIRECTLY IN ANY WAY DEETRIMENTAL TO THE INTEREST OF THE COMPANY.

INVENTORY NO. SIGN. & DATE REF. DRG. NO.