

THE INFORMATION ON THIS DOCUMENT IS THE PROPERTY OF BHARAT HEAVY ELECTRICALS LIMITED IT MUST NOT BE USED DIRECTLY OR INDIRECTLY IN ANY WAY DETRIMENTAL TO THE INTEREST OF THE COMPANY

FIRST ANGLE PROJECTION

(ALL DIMENSIONS ARE IN mm)

DRG. NO. 35212001745

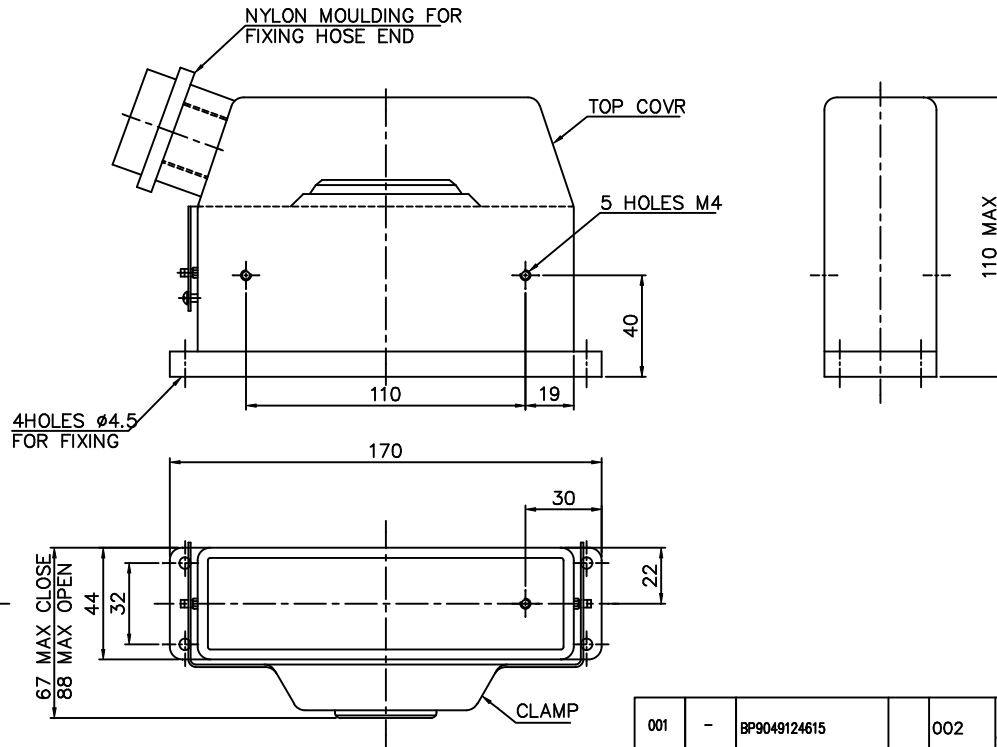
VOLTAGE 500 V.
CURRENT 16 AMP.
H.V. 2.5 KV/1 MIN.
INSULATION > 10M⁰
SCREW TYPE TERMINAL SUITABLE FOR 0.5 TO 2.5 Sq. MM
SUITABLE FOR OPERATION UP TO 105°C DEVICE SHOULD BE
SUITABLE FOR APPLICATION IN VOLVING VIBRATION.
ENCLOSURE TO 1P65.

CONTACT SILVER PLATED: -

FOR VAR.00 = 0.003mm (MIN)
FOR VAR.01 = 0.010mm (MIN)

NOTE: -

INSULATION PLATE FOR THE PLUG & SOCKET
TERMINALS SHALL BE OF MALCEMINE OR ANY
STRONGER MATERIAL TO PREVENT BREAKAGE.



001	-	BP9049124615	002	SECONDARY PLUG & SOCKET	35212001745	01				-	001			
-	001	BP9069262922	001	SECONDARY PLUG & SOCKET	35212001745	00				-	001			
VAR01	VAR00	REMARKS	VAR. NO.	ITEM NO.	DESCRIPTION	STD	DRAWING NO.	IT.NO.	MATL. CODE	UNIT	UNIT WT.	ZONE		
								32	33	46	54	68	71	72
								VAR.	MATL. SPCN.		QTY.			

28 → CARD TYPE-3 28 → CARD TYPE-1 28 → CARD TYPE-2

ADDITIONAL INFORMATION

STATUS OF DRAWING

DISTRIBUTION OF PRINTS

0. COPY-----1
SWM-----3
TCX-----1

उत्पाद का प्रकार या
ग्राहक/परियोजना का नाम
TYPE OF PRODUCT OR
NAME OF CUSTOMER/PROJECT

VM-12



भारत हेवी इलेक्ट्रिकल्स लिमिटेड
भोपाल
BHARAT HEAVY ELECTRICALS LTD.
BHOPAL

क्रमांक DRN	नाम/NAME	हस्ता/ SIGN	दिनांक/DATE	वे. सं. NO. OF VAR
	S.U.SAVALE	Sd/-	25.10.99	
	P.S.SONKER	Sd/-	27.10.99	
	J.S.PURIYA	Sd/-	27.10.99	

विभाग DEPT	उप. टा. ना. की श्रेणी UNTD.DIMS. GR.	उत्पाद SCALE	भार WEIGHT (K.G.)	उपे. डा. का संदर्भ REF. TO ASSY. DRG.	सक. क्र. ITEM NO.	सक. संख्या NO. OF ITEM
SWE	M	1:1				
कोड CODE	AA 0230208					

शीर्षक/TITLE
16A, 380V, 32 WAY
SECONDARY PLUG & SOCKET

ज. सं. क्र./DRAWING NO.	35212001745	पुन./REV	02
पृष्ठ क्र./SHT. No.	01	पृष्ठों की संख्या/NO. OF SHT.	01

INVENTORY NO. SIGN. & DATE REF. DRG. NO.

REV.	DATE	ALTERED	ABHISHEK
02	01.02.13	CHECKED	AKHIL
		APPROVED	MAK
		DRAWING REDRAWN.	
		(DCA-31657)	

REV.	DATE	ALTERED	P.PARE
01	26.12.07	CHECKED	
		APPROVED	
		4-HOLES M4 WAS 2-HOLES. DIM 20 ADDED.	
		(DCA-11145)	