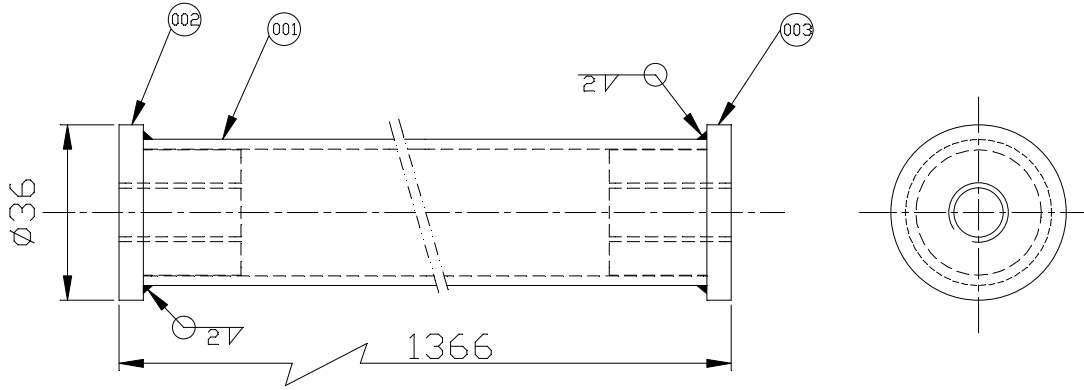


THE INFORMATION ON THIS DOCUMENT IS THE PROPERTY OF BHARAT HEAVY ELECTRICALS LIMITED. IT MUST NOT BE USED DIRECTLY OR INDIRECTLY IN ANY WAY DETRIMENTAL TO THE INTEREST OF THE COMPANY.

35213030831

DRG NO



001			003	PULL ROD END (LH)	45213030924	002				0.100
										001
001			002	PULL ROD END (RH)	45213030924	001			KG	0.100
										001
001			001	SQUARE PULL ROD	45213030923	001			KG	1.233
										001
VAR 00	REMARKS	VAR NO.	ITEM NO.	DESCRIPTION	DRAWING NO.	IT.ND.	MATERIAL CODE	A	UNIT	UNIT WT.
						VAR	MATL. SPCN.	C		QTY


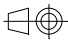
KANSARA

YUP\35213030831

REF.DRG.NO.

SIGN. & DATE

INVENTORY NO.

ADDITIONAL INFORMATION				TYPE OF PRODUCT OR NAME OF CUST/PROJ PVN-36									
STATUS OF DRAWING				 BHARAT HEAVY ELECTRICALS LIMITED BHOPAL				NAME		SIGN	DATE	NO. OF VAR	
DISTRIBUTION OF PRINTS								DRN	C.M.C.			14.6.2000	
□/C -----1 SWM -----3 TCX -----1								CKD	A.K.U.			14.6.2000	-
				APPD	Y.U.P.								
REV	DATE	ALTD		DEPT	UN. TOL.DIMGR.		SCALE	WEIGHT (KG)	REF TO ASSY	ITEM NO.	NO.OF ITEMS		
01	2.9.03	CKD		SWE	M		1:1	1.433	35213030832	001	003		
DIM 1366 WAS 1353.				CODE	AA0230208			DRG NO		REV.			
(DCA 12553)				TITLE				35213030831		01			
				PULL ROD ASSY.				SHT.NO.	01	NO.OF SHT.	01		