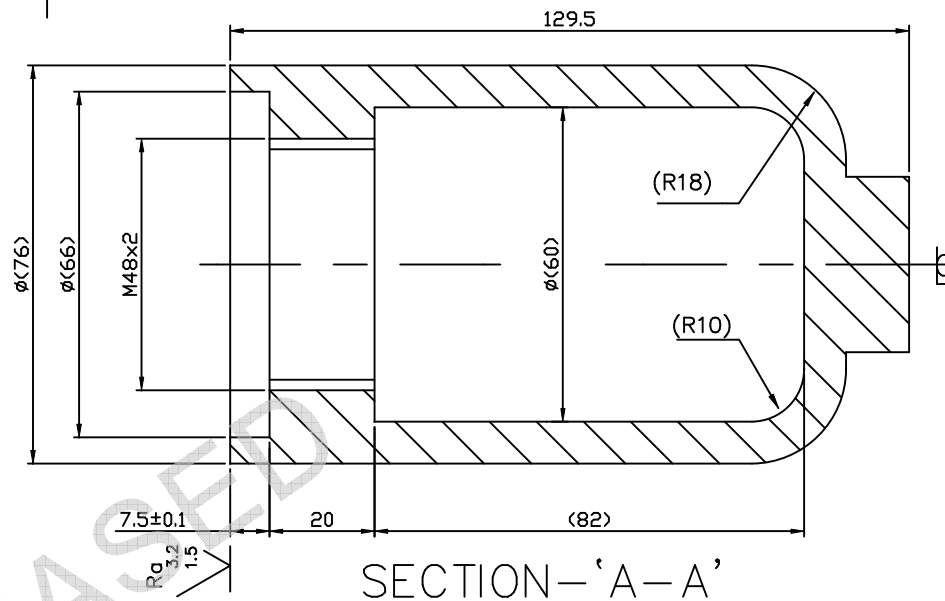
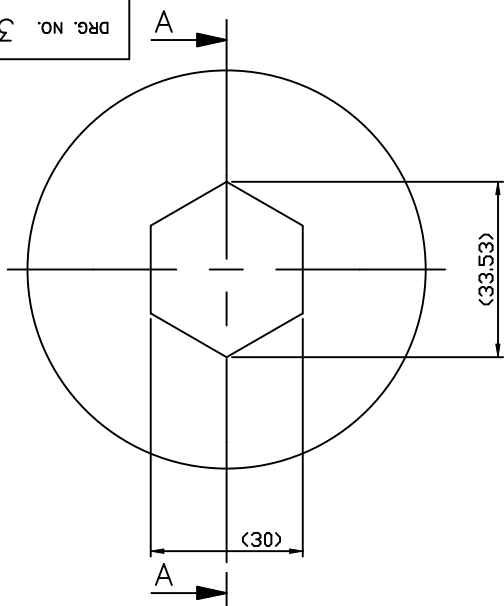


DRG. NO. 35213030952



FINISH :-

PIGMENT COLOUR SHALL BE ORANGE TO SHED NO.557 OF IS:5:1978.

NOTES:-

1. MOULDING SHOULD BE SUITABLE FOR GAS APPLICATION UP TO 10Kg/SQCM WITHOUT ANY DIFFUSION.
2. INTERNAL SURFACE MUST BE FREE FROM ALL LOOSE PARTICLES.
3. CAP SHALL BE SUITABLE FOR SERVICE TEMPERATURE OF 90°C (MIN).

59	64	65	75	78	79	25	27	29	58	59	60	77	29	31	34	45	55	56	57	58	65	72
VAR00	REMARKS		VAR. NO.	ITEM NO.		DESCRIPTION			STD	DRAWING NO.			IT.ND.	MATL. CODE		54	55	56	57	58	65	72
						POLYPROPYLENE MOULDING							32	33 46		54	55	56	57	58	65	72
						IS:10951-2002							32	33 46		54	55	56	57	58	65	72
						0.384							32	33 46		54	55	56	57	58	65	72
						001							32	33 46		54	55	56	57	58	65	72
						UNIT WT.							32	33 46		54	55	56	57	58	65	72
						QTY.							32	33 46		54	55	56	57	58	65	72

28 → CARD TYPE-3		28 → CARD TYPE-1		28 → CARD TYPE-2	
ADDITIONAL INFORMATION			उत्पाद का प्रकार या ग्राहक/परियोजना का नाम		
STATUS OF DRAWING			TYPE OF PRODUCT OR NAME OF CUSTOMER/PROJECT		
DISTRIBUTION OF PRINTS			PVN 36/PVN12		
O.C. -1			भारत हेवी इलेक्ट्रिकल्स लिमिटेड		
SWGR PROD -4			भोपाल		
TCX. -1			BHARAT HEAVY ELECTRICALS LTD. BHOPAL		
REV. DATE			क्यादा नाम/NAME		
01 24.03.07			BKT -Sd- 14.03.07		
ALTERED BKT			हस्ता/ SIGN		
CHECKED RKB			दिनांक/ DATE		
APPROVED NB			वे. की संख्या NO. OF VAR		
IN TITLE BLOCK DATE WAS 14.03.06			भारत हेवी इलेक्ट्रिकल्स लिमिटेड		
NOTES CHANGED, BOM CHANGED.			भोपाल		
(DCA26737)			BHARAT HEAVY ELECTRICALS LTD. BHOPAL		
REV. DATE			क्यादा नाम/NAME		
01 24.03.07			BKT -Sd- 14.03.07		
ALTERED BKT			हस्ता/ SIGN		
CHECKED RKB			दिनांक/ DATE		
APPROVED NB			वे. की संख्या NO. OF VAR		
IN TITLE BLOCK DATE WAS 14.03.06			भारत हेवी इलेक्ट्रिकल्स लिमिटेड		
NOTES CHANGED, BOM CHANGED.			भोपाल		
(DCA26737)			BHARAT HEAVY ELECTRICALS LTD. BHOPAL		
REV. DATE			क्यादा नाम/NAME		
01 24.03.07			BKT -Sd- 14.03.07		
ALTERED BKT			हस्ता/ SIGN		
CHECKED RKB			दिनांक/ DATE		
APPROVED NB			वे. की संख्या NO. OF VAR		
IN TITLE BLOCK DATE WAS 14.03.06			भारत हेवी इलेक्ट्रिकल्स लिमिटेड		
NOTES CHANGED, BOM CHANGED.			भोपाल		
(DCA26737)			BHARAT HEAVY ELECTRICALS LTD. BHOPAL		