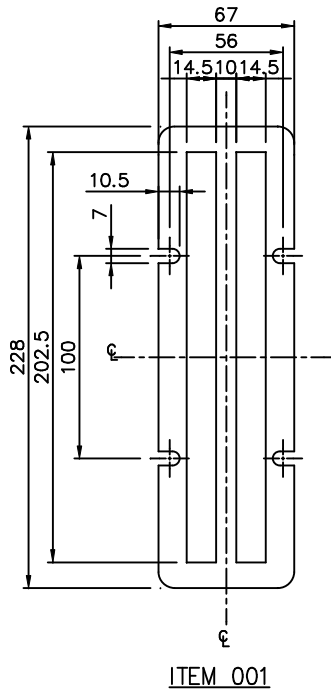
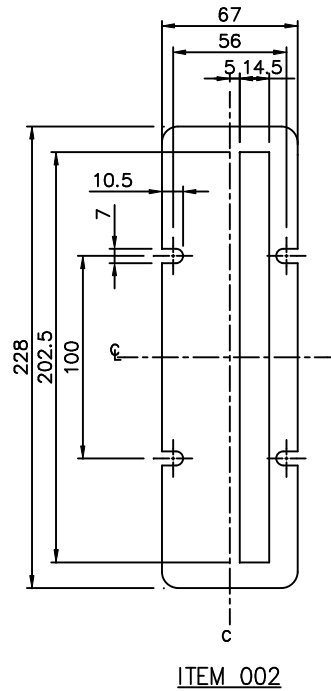


THE INFORMATION ON THIS DOCUMENT IS THE PROPERTY OF BHARAT HEAVY ELECTRICALS LIMITED. IT MUST NOT BE USED DIRECTLY OR INDIRECTLY IN ANY WAY DETRIMENTAL TO THE INTEREST OF THE COMPANY.

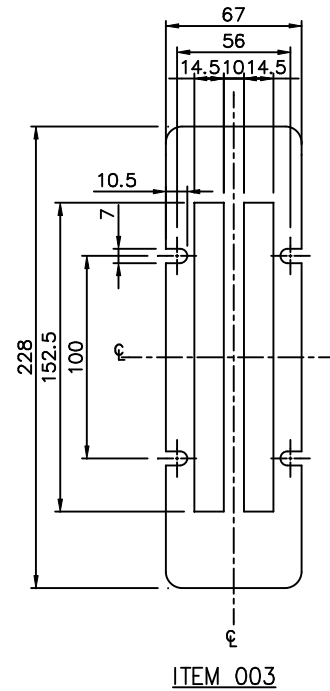
DRG NO 35215002087



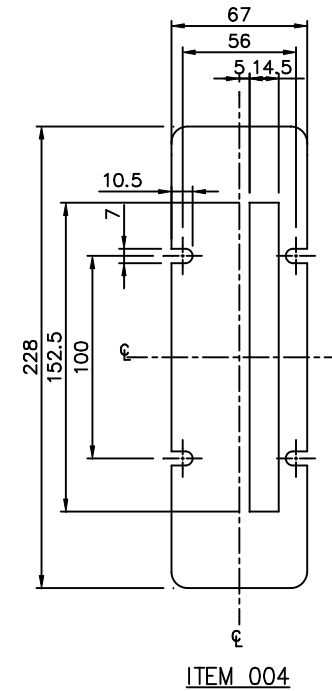
ITEM 001



ITEM 002



ITEM 003



ITEM 004

VAR NO	REMARKS	VAR NO.	ITEM NO.	DESCRIPTION	STD	DRAWING NO.	IT.NO.	MATERIAL CODE	A	UNIT	UNIT WT.
							VAR	MATL. SPCN.	C		QTY

ADDITIONAL INFORMATION

STATUS OF DRAWING

DISTRIBUTION OF PRINTS

O.COPY-----1
SWM-----3
TCX-----1

TYPE OF PRODUCT OR NAME OF CUST/PROJ

VM-12



BHARAT HEAVY ELECTRICALS LIMITED
BHOPAL

DRN	NAME	SIGN	DATE	NO. OF VAR
PARE		Sd/-	01.02.13	
CKD	AKHIL	Sd/-	01.02.13	
APPD	M.A.K.	Sd/-	01.02.13	00

INVENTORY NO.	REV	DATE	DRN	REV	DATE	DRN
			CKD			CKD
			APPD			APPD

DEPT	UN. TOL. DIM. GR.	SCALE	WEIGHT (KG.)	REF TO ASSY	ITEM NO.	NO. OF ITEMS
SWE	M	1:2.5	-	2 521 50 01590	004 TO 010	008
CODE	AA0230208					
409						
TITLE				DRG NO	REV.	
NYLON SEALING COVER				35215002087	00	
	SHT.NO.	02	NO. OF SHT.	03		