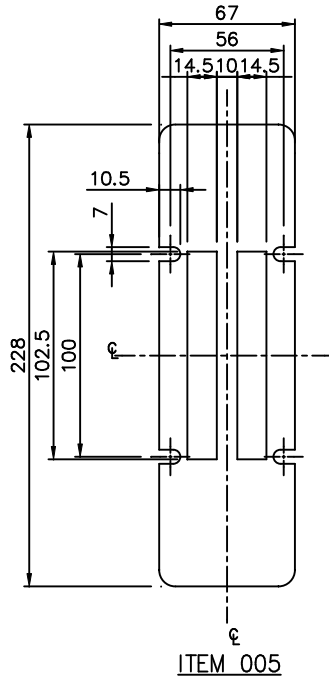
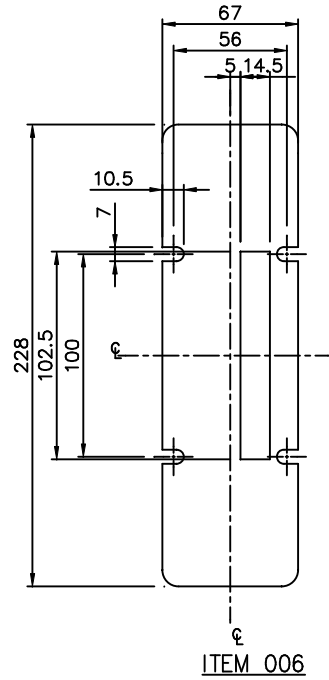


THE INFORMATION ON THIS DOCUMENT IS THE PROPERTY OF BHARAT HEAVY ELECTRICALS LIMITED. IT MUST NOT BE USED DIRECTLY OR INDIRECTLY IN ANY WAY DETRIMENTAL TO THE INTEREST OF THE COMPANY.

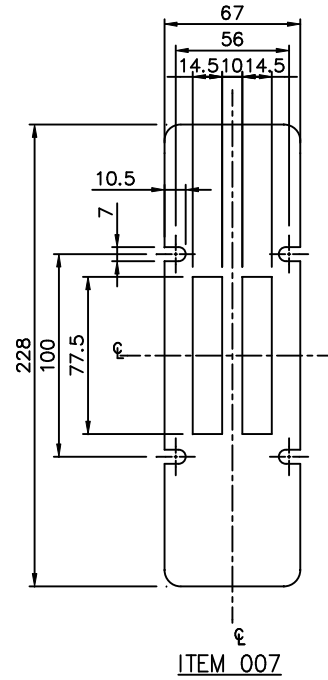
DRG NO 35215002087



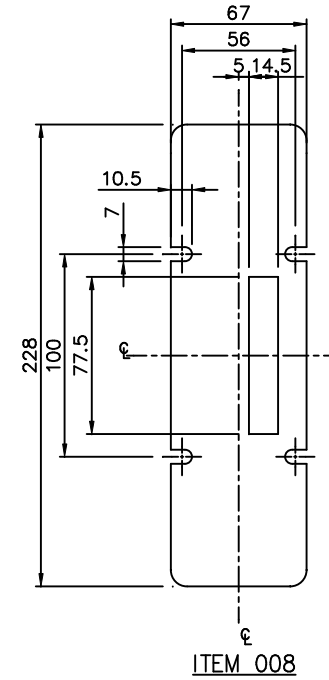
ITEM 005




ITEM 006



ITEM 007



ITEM 008

VAR 00	REMARKS	VAR NO.	ITEM NO.	DESCRIPTION	STD	DRAWING NO.	IT.ND.	MATERIAL CODE	A	UNIT	UNIT WT.								
VAR	MATL. SPCN.	C	UNIT	QTY															
ADDITIONAL INFORMATION				TYPE OF PRODUCT OR NAME OF CUST/PROJ VM-12															
STATUS OF DRAWING				 BHARAT HEAVY ELECTRICALS LIMITED BHOPAL															
DISTRIBUTION OF PRINTS				DRN PARE NAME SIGN DATE NO. OF VAR CKD AKHIL Sd/- 01.02.13 APPD M.A.K. Sd/- 01.02.13 00															
O.COPY-----1		SWM-----3		TCX-----1		DEPT SWE		UN. TOL.DIM.GR.		SCALE		WEIGHT (KG.)		REF TO ASSY		ITEM NO.		NO. OF ITEMS	
						409		M AA0230208		1:2.5		-		2 521 50 01590		004 TO 010		008	
TITLE												DRG NO		REV.					
NYLON SEALING COVER												35215002087		00					
SHT.NO.										03		NO. OF SHT.		03					

35215001774-R05-S02
REF.DRG.NO.

SIGN. & DATE

INVENTORY NO.

REV	DATE	DRN	REV	DATE	DRN	REV	DATE	DRN
		CKD			CKD			CKD
		APPD			APPD			APPD