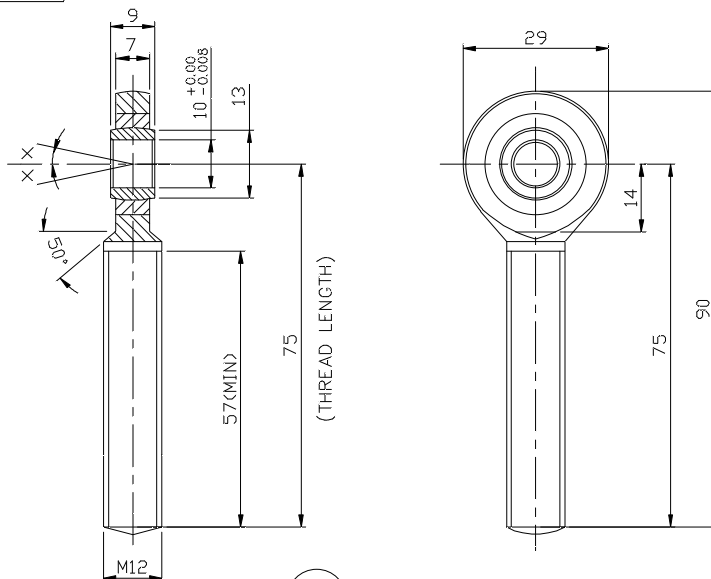


DRG. NO. 35225002076



ANGLE OF MISALIGNMENT $\alpha = 12^\circ$
 LOAD CAPACITY :-
 STATIC LOAD CO = 1800 kg.
 DYNAMIC LOAD C = 960 kg.

001

THE INFORMATION ON THIS DOCUMENT IS THE PROPERTY OF BHARAT HEAVY ELECTRICALS LIMITED IT MUST NOT BE USED DIRECTLY OR INDIRECTLY IN ANY WAY DETRIMENTAL TO THE INTEREST OF THE COMPANY

35225002076-00-01
 REF. DRG. NO.

SIGN. & DATE

INVENTORY NO.

VAR00	65	REMARKS	75	78	79	25	27	29	DESCRIPTION	58	59	60	77	29	31	34	MATL. CODE	45	55	58	59	60	61	62	63	64	65	72	ZONE
									SPHERICAL ROD END M12								SG12714		NA								0.04		

28 → CARD TYPE-3

28 → CARD TYPE-1

28 → CARD TYPE-2

ADDITIONAL INFORMATION

STATUS OF DRAWING

DISTRIBUTION OF PRINTS

0 COPY-----1
 SWM-----3
 TCX-----1

mRikn dk i-dkj;k
 xk-gd@ifjkstuk dk uke
 TYPE OF PRODUCT OR
 NAME OF CUSTOMER/PROJECT
 VM24/VM36

	HAKjr gsho bysfDV&dYl fyfeVsm	ukc@NAME	gLnk@SGN	mcukc@ATE	ostf_l_dh
	HAKsiky	SUS	Sd/-	27.07.07	icj;k
	BHARAT HEAVY ELECTRICALS LTD.	KSM	Sd/-	27.07.07	NO. OF
	BHOPAL	DIVYA	Sd/-	27.07.07	VAR

REV.	DATE	ALTERED	REV.	DATE	ALTERED	wtwkr	HAKjr	vs_	en d-	en_
		CHECKED			CHECKED	SCALE	id_xk-	MkknZox dk ionHAZ	ITEM NO.	icj;k
		APPROVED			APPROVED	1:1	wt	REF. TO ASSY. DRG.		NO. OF
							WGT (KG)			ITEM
										NO.
										003
										00
										00
										00

AA0230208
 SPHERICAL ROD END FOR CUTTER HAMMER
 VACUUM INTERRUPTER TYPE W35871 P (36 KV , 40KA)
 DRAWING NO. 35225002076
 No. 01