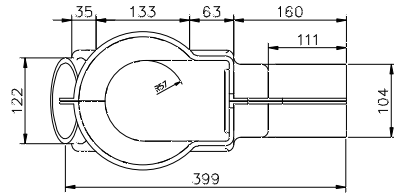


THE INFORMATION ON THIS DOCUMENT IS THE PROPERTY OF BHARAT HEAVY ELECTRICALS LIMITED IT MUST NOT BE USED DIRECTLY OR INDIRECTLY IN ANY WAY DETRIMENTAL TO THE INTEREST OF THE COMPANY

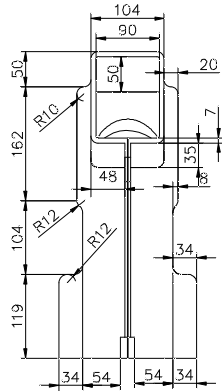
FIRST ANGLE PROJECTION

(ALL DIMENSIONS ARE IN mm)

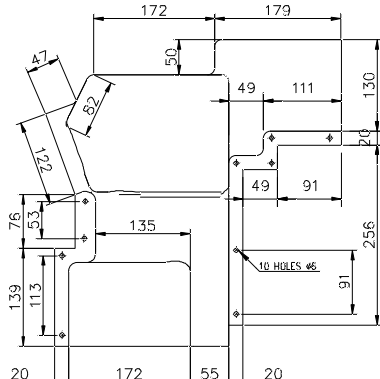
DRG. NO. 35225002555



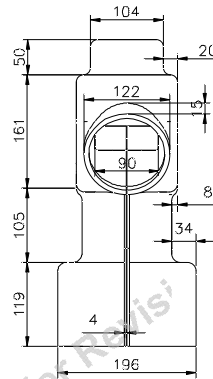
BOTTOM VIEW



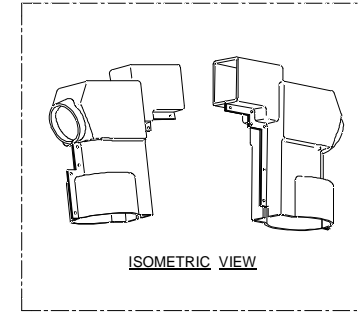
LEFT VIEW



FRONT VIEW

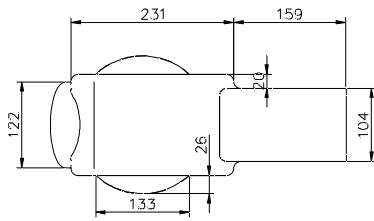


RIGHT VIEW



ISOMETRIC VIEW

ITEM:001



TOP VIEW

---	---	002	7TK PVC BOTTOM POLE SHROUD																	
---	---	001	7TK PVC TOP POLE SHROUD																	
65	75	76	79	25	27	29	59	59	60	77	29	31	34	45	55	56	57	58	65	72
VAR00	REMARKS	VAR. NO.	ITEM NO.	DESCRIPTION	STD	DRAWING NO.	IT. NO.	MATL. CODE	UNIT	UNIT W.T.	32	33	46	54	68	69	70	71	73	74

28 → CARD TYPE-3

28 → CARD TYPE-1

28 → CARD TYPE-2

V-00: BP9069474956

ADDITIONAL INFORMATION	mRikn dk i-dkj ;k xk-gd@fj;kstuk dk uke TYPE OF PRODUCT OR NAME OF CUSTOMER/PROJECT
STATUS OF DRAWING	
DISTRIBUTION OF PRINTS	
0. COPY-----1	
SWM-----3	
TCX-----1	

DRN	SKG	sd/-	07.03.16
tWpk	AKHIL	sd/-	07.03.16
vogeKsfr	MAK	sd/-	07.03.16

REV.	DATE	ALTERED	CHECKED	APPROVED

foHAKX	vu_ vky_ uki dh Js.kh	vujikr	HAKj fd_xk-	vis_ MkkbZax dk lonHAZ	en d--	en_ la[:k
DEPT SWE	UNTIL DIMS. GR.	SCALE	WEIGHT (K.G.)	REF TO ASSY. DRG	ITEM NO.	NO. OF ITEM
409	M					02
AA0230208						
PVC POLE SHROUD				DRAWING NO.		00
				35225002555		
				01		02