

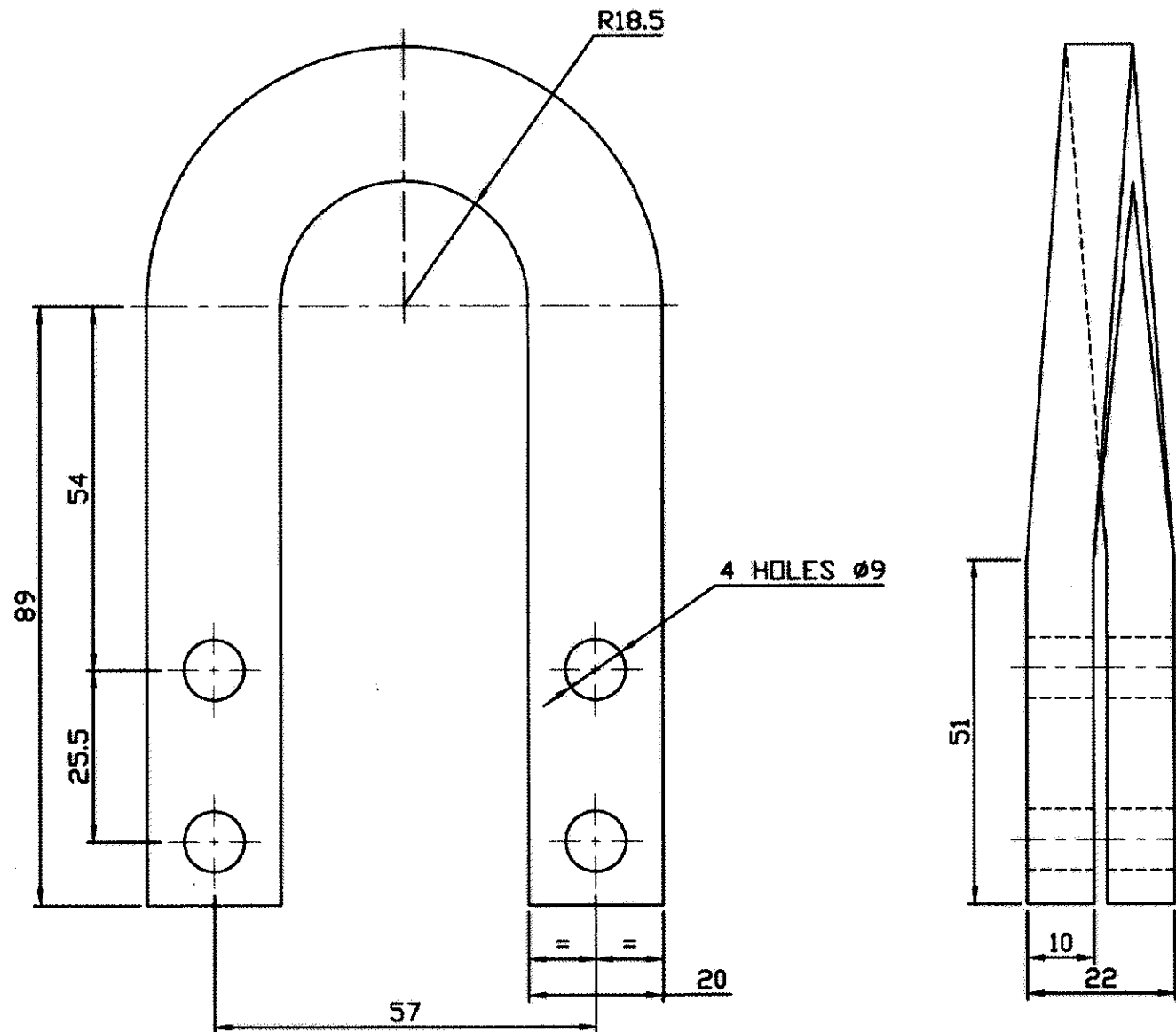
FIRST ANGLE PROJECTION

(ALL DIMENSIONS ARE IN mm)

DRG. NO. 3 583 11 30018

FINISH:-

1. ELECTRO TIN TO PR'S AA 0673602 (0.008 TK.)



TOOL LIST		
ITEM	TOOL	DESCRIPTION
001	1489566	DRILL JIG

VAR DD	REMARKS	VAR. NO.	ITEM NO	DESCRIPTION	STD.	DRAWING NO.	IT.NO	MATL. CODE	A	C	UNIT	UNIT WT.	QTY.	G	ZONE
			001	10x20 CU STRIP ANLD	1			AA 12007			MM.	0.48			
								AA 12007				270.0			

ISSUED:- 13-12-07

ADDITIONAL INFORMATION

STATUS OF DRAWING M

DISTRIBUTION OF PRINTS

O.C - 1 SWM - 4  
TCX(SWM) - 1

COMPUTER FILE NO.  
35831130018

उत्पाद का प्रकार या ग्राहक/परियोजना का नाम  
TYPE OF PRODUCT OR NAME OF CUSTOMER/PROJECT

25KV AC EMU(B.G.)  
INDIAN RAILWAYS



भारत हेवी इलेक्ट्रिकल्स लिमिटेड  
भोपाल  
BHARAT HEAVY ELECTRICALS LTD.  
BHOPAL

क्रमांक/NO	नाम/NAME	हस्ताक्षर/SIGN	दिनांक/DATE	वे. नं. की संख्या/NO. OF VAR
RCB		-Sd-	04.12.81	
ASA		-Sd-	14.02.82	
VPA		-Sd-	29.10.82	

REV.	DATE	ALTERED	RCB
04	11.12.07	CHECKED	OPS
		APPROVED	AG

REV.	DATE	ALTERED	CKM
03	07.05.92	CHECKED	ASA
		APPROVED	ASA

DEPT	अनुपात SCALE	अनुरोध/REQD.	अनुपात/SCALE	अनुरोध/REQD.
CEE	2:1	CG.06503		

असे. कुर्छा का संख्या/REF. TO ASSY. DRG.	मक. सं. ITEM NO.	मक. संख्या/NO. OF ITEM
001-15831130003	020	001
001-15831230001	020	

DRG. COMPUTERISED.

TOOL NO. 1489566 ADDED. MATL. CODE WAS BP 120200787B.

शीर्षक/TITLE

TRIP COIL



असे. कुर्छा का संख्या/ DRAWING NO.

3 583 11 30018

पृष्ठ सं./श. नं. 01 पृष्ठों की संख्या/ NO. OF SH. 01

INVENTORY NO. SIGN. & DATE REF. DRG. NO. 016 C8507886 THE INFORMATION ON THIS DOCUMENT IS THE PROPERTY OF BHARAT HEAVY ELECTRICALS LIMITED IT MUST NOT BE USED DIRECTLY OR INDIRECTLY IN ANY WAY DETRIMENTAL TO THE INTEREST OF THE COMPANY