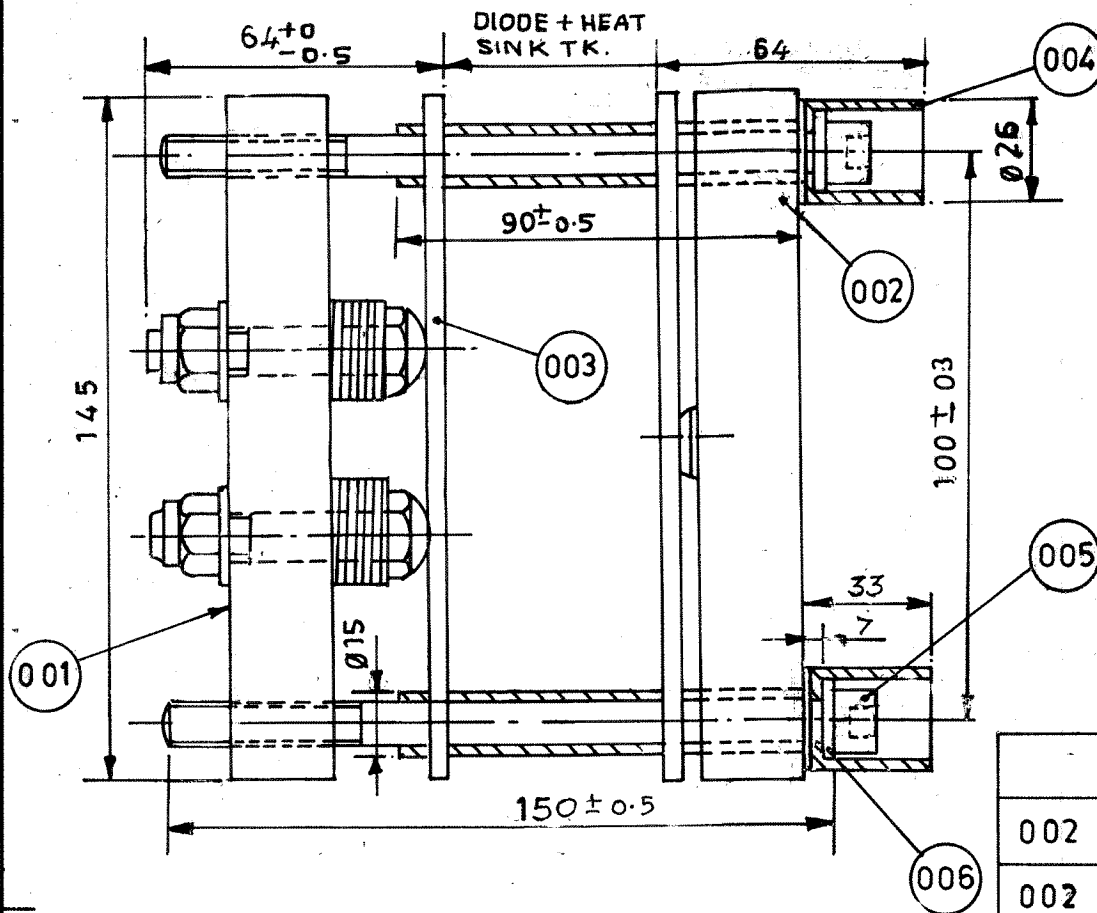


DRG. NO. E 667 05 00149



STYLE LIST			
STYLE NO.	VAR. NO.	DESCRIPTION	RECORDED
			SIGN DATE
BP9087567804	00	CLAMPING ARRGT	<i>[Signature]</i> 4-5-96

NOTE:- ITEM 005 & 006 TO BE ZINC PLATED & PASSIVATED TO PR. SP. AA 0673603 & AA 0673604 RESPLY (0.013TK.)

ITEM NO.	DESCRIPTION	QTY.	UNIT	UNIT WT.
002	006 WASHER M/C 10.5ST			AA7161001064
002	005 BOLT SOCKET HEAD M10x150		0.100	AA7123123
002	004 INSULATION TUBE	4 667 05 00133	0.020	001
002	003 STRIP	4 667 05 00132	0.170	001
001	002 BLOCK	3 667 05 00146	0.540	00
001	001 CLAMPING ASSY.	3 667 05 00144	0.700	00

VAR. NO.	REMARKS	VAR. NO.	ITEM NO.	DESCRIPTION	STD.	DRAWING NO.	IT. NO.	MATL. CODE	MATL SPCN.	UNIT	UNIT WT.	QTY.			
59	64/65	75	78 79	25 27 29	58	59 60	77	29 31	34	45	55	56	58	65	72

28 → CARD TYPE - 3		28 → CARD TYPE - 1		28 → CARD TYPE - 2	
<b>ADDITIONAL INFORMATION</b> उत्पाद का प्रकार या ग्राहक/परियोजना का नाम TYPE OF PRODUCT OR NAME OF CUSTOMER / PROJECT INDIAN RLYS			<b>STD</b>		
<b>STATUS OF DRAWING</b> M			भारत हेवी इलेक्ट्रिकल्स लिमिटेड भोपाल BHARAT HEAVY ELECTRICALS LTD. BHOPAL		
<b>DISTRIBUTION OF PRINTS</b> O/C - 1 RFM. - 3 T C X (REM) - 1			नाम / NAME: R C B. हस्ता. / SIGN: SD दि. / DATE: 4-4-96 बनाया DRN. जांचा CKD: P. M. D. स्वीकृत APPD: M. K. G.		
REV. 01 DATE 6-11-97 ALTERED CHECKED APPROVED ZONE DRG. REDRAWN DIMNS 7 33 & 64 WERE 4.30 & 61 RESPLY. DIM. 64 ± 0.5 WAS 63 ± 0.5 IN ITS MATL SPEC. WAS AA71223.			विभाग DEPT: EE अन. टाल. नाप की श्रेणी UNTO. DIMS. GR.: REF. कोड CODE: 407 CG 06 503 अनुपात SCALE: N.T.S. 1:450 भार (कि.ग्रा.) WEIGHT (K.G.): असे. ड्राईंग का संदर्भ REF. TO ASSY. DRG.: मद. क्र. ITEM NO.: मद. संख्या NO. OF ITEM: 006		
शीर्षक / TITLE: CLAMPING ARRGT. FOR DIODE & HEAT SINK JL 01 FOR 40 KN			ड्राईंग क्र. / DRAWING NO.: 3 667 05 00149 पुन. / REV.: 01		
पृष्ठ क्र. / SHT. NO.: 01			पृष्ठों की सं. / NO. OF SHT.: 01		

THE INFORMATION ON THIS DOCUMENT IS THE PROPERTY OF BHARAT HEAVY ELECTRICALS LIMITED. IT MUST NOT BE USED DIRECTLY OR INDIRECTLY IN ANY WAY DETRIMENTAL TO THE INTEREST OF THE COMPANY.