

FIRST ANGLE PROJECTION

(ALL DIMENSIONS ARE IN mm.)

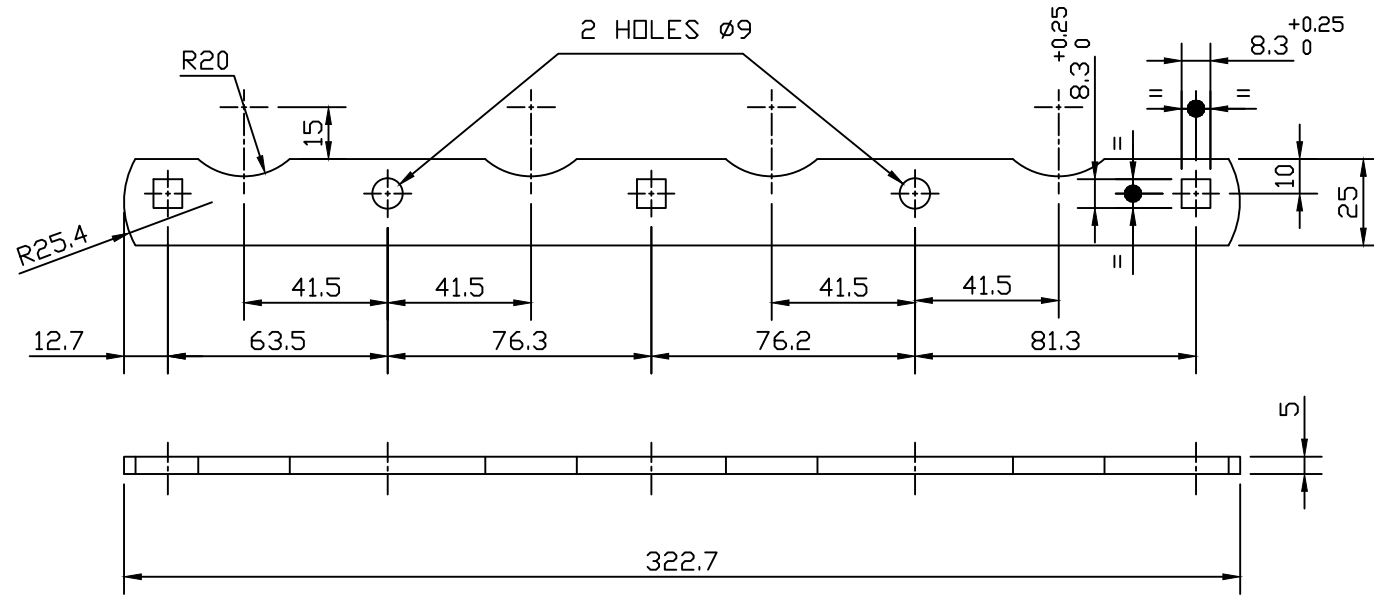
DRAWING NO. 3 667 05 00366

THE INFORMATION ON THIS DOCUMENT IS THE PROPERTY OF BHARAT HEAVY ELECTRICALS LIMITED. IT MUST NOT BE USED DIRECTLY OR INDIRECTLY IN ANY WAY DETRIMENTAL TO THE INTEREST OF THE COMPANY.

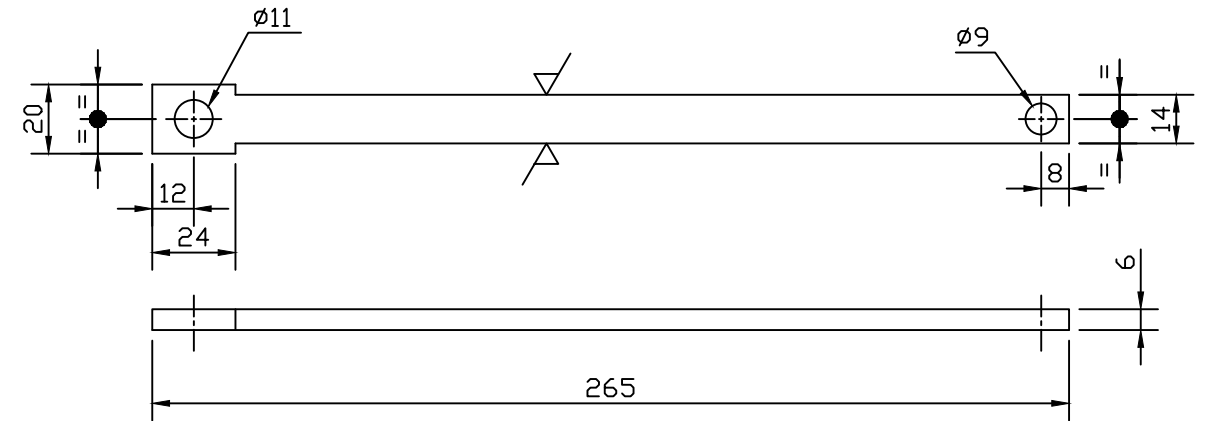
36670500185

SIGN. & DATE

INVENTORY No.



ITEM - 001



ITEM - 002

FINISH :-

ELECTRO-TIN ITEMS 001 & 002 TO PR.S. AA 0673602 (0.008TK).

VAR. NO.	REMARKS	VAR. NO.	ITEM NO.	DESCRIPTION	STD.	DRAWING NO.	IT. NO.	MATL. CODE.	A/C	UNIT	UNIT WT.	QTY.	CS.
-			002	BUS BAR 20 X 6 COPPER STRIP				AA12003		KG	0.200		
										MM	265		
-			001	BUS BAR 25 X 5 COPPER STRIP				AA12003		KG	0.330		
										MM	322.7		

ADDITIONAL INFORMATION

STATUS OF DRAWING M

DISTRIBUTION OF PRINTS

OFFICE COPY - 1
RFM - 4
TCX (RFM) - 1

उत्पाद का प्रकार या ग्राहक/परियोजना का नाम
TYPE OF PRODUCT OR NAME OF CUSTOMER/PROJECT
ALT. RECTIFIER FOR WDG4
INDIAN RAILWAYS

बनाया DRN.	नाम /NAME	हस्ता /SIGN.	दि./DATE	वेरि की संख्या NO. OF VAR.
V.J.			06.08.14	
जांचा CKD.	ASA		06.08.14	
स्वीकृत APPD.	SKR		06.08.14	

विभाग DEPT.	अन.टोल.नाप की श्रेणी UNTOL. DIMS. GR.	अनुपात SCALE	भार कि ग्रा WEIGHT (K.G.)	असे. ड्राइंग का संदर्भ REF. TO ASSY.	मद संख्या ITEM NO.	मद संख्य NO. OF ITEM
CEE	REF CG 06503	1 : 2		16670500092	-	002

REV	DATE	ALTERED	V.J.
01	21.10.14	CHECKED	ASA
		APPROVED	SKR

DIMS. 41.5 (AT 4 PLACES), 15, & R20 ADDED IN ITEM 001.

शीट क्र. /SHT.NO	शीटों की सं./NO.OF.SHT.	पुन./REV.
01	01	01

BUS BAR

ड्राइंग क्र./DRAWING NO.
3 667 05 00366

शीट क्र. /SHT.NO 01 शीटों की सं./NO.OF.SHT. 01