

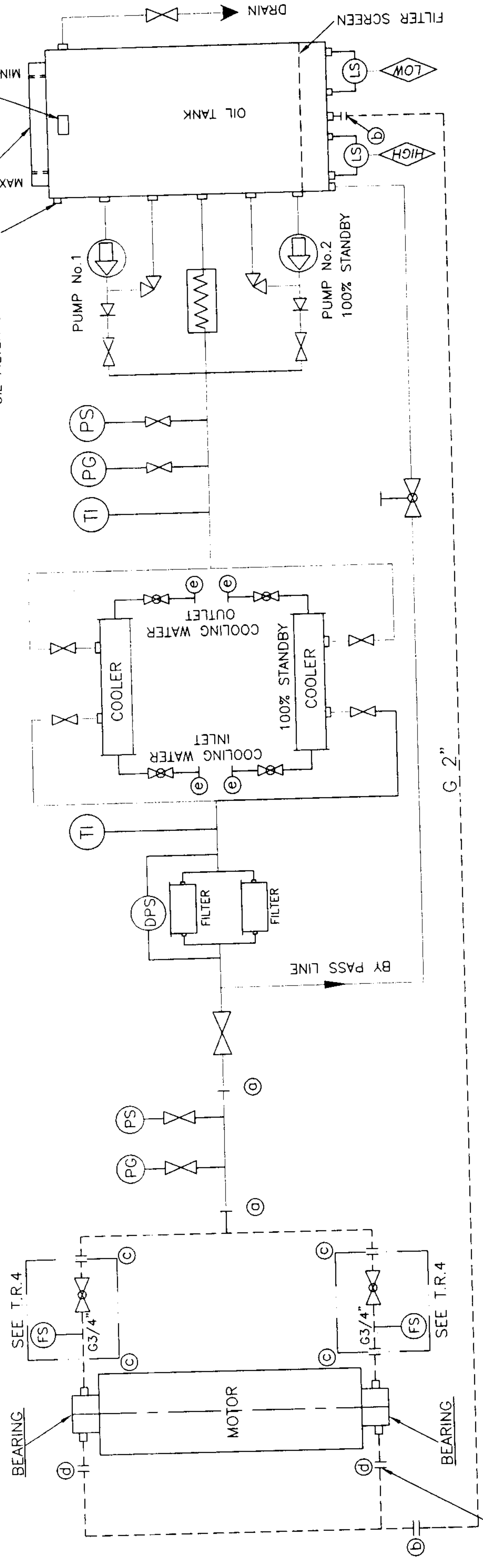
ALL DIMENSIONS ARE IN (mm)

ANGLE PROJECTION

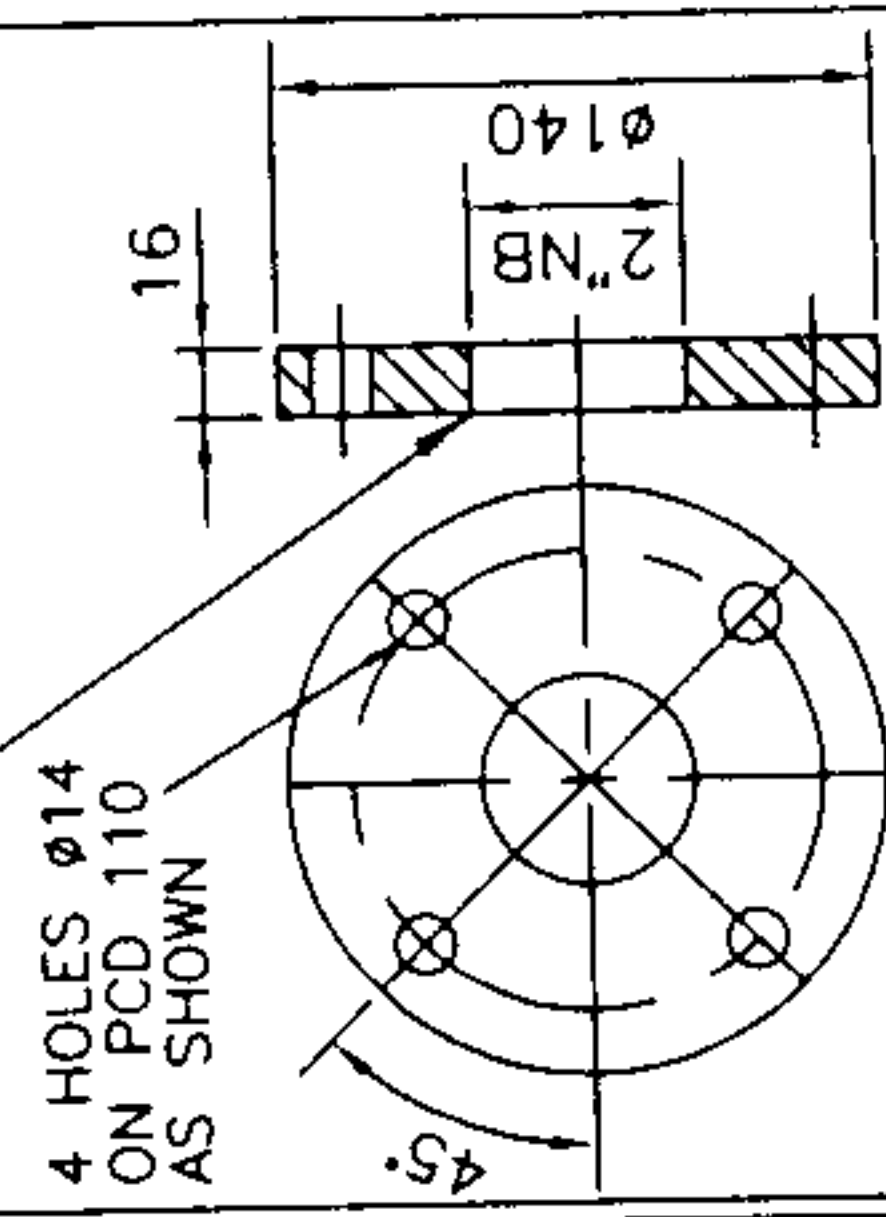
80-12-22-21-01
 Dwg No

SCOPE OF SUPPLY

--- SUPPLIED BY FOL SUPPLIER
 - - - - - ARRANGE BY OCL BENGAL CEMENT



OIL OUTLET FLANGE



BRG. OIL OUTLET FLANGE DETAIL

LEGEND

1	GATE VALVE	
2	LOCKABLE TYPE REGULATING GLOBE VALVE	
3	NON RETURN VALVE	
4	LEVEL SWITCH	
5	PRESSURE GAUGE WITH SHUT OFF VALVE	
6	PRESSURE SWITCH WITH VISUAL INDICATOR	
7	TEMPERATURE INDICATOR	
8	RELIEF VALE	
9	PRESSURE RELIEF VALVE	
10	DIFFERENTIAL PRESSURE SWITCH OR INDICATOR	
11	BY PASS FLOW CONTROL VALVE	
12	FLOW SWITCH WITH CONTACT	

OIL INLET TEMP. = 40°C
OIL QUANTITY = 9 LPM AT INLET OF EACH BEARING
OIL PRESSURE = 0.2-0.5 BAR AT BEARING OIL INLET
OIL GRADE = ISO VG 46

TECH. REQUIREMENTS:-

1. BEARING INLET SIZE = G 3/4" THREADED CONNECTION
2. BEARING OUTLET SIZE = G 2" FLANGED CONNECTION
3. ALL FLANGES MARKED (C) - (E) EXCEPT 2 EACH OF (C) & (D) SHOWN ASSEMBLED ON BEARING ARE TO BE SUPPLIED MATING FLANGES FOR COOLING WATER PIPING AS (E) ARE ALSO TO BE SUPPLIED IN LOOSE CONDITION.
4. THE PIPING FLANGES & INSTRUMENTS SHOWN WITHIN THE CHAIN DOTTED REGION ARE TO BE SUPPLIED IN LOOSE CONDITION.
5. OIL RETURN FROM BEARING OUTLET TO FOLS UNIT IS BY GRAVITY. FOLS UNIT SHOULD BE LOCATED AT LOWER LEVEL SUCH THAT OIL RETURN PIPE HAS AT A CONTINUOUS GRADIENT OF 1 IN 30.

REF. DRG. NO.	DRIVE-CEMENT MILL	
SIGN. & DATE	NAME	DATE
INVENTOR NO.	UPENDRA	07.11.12
	RPB	07.11.12
	DKD	07.11.12
NO. OF SHEETS	NO. OF ITEMS	REV.
	1	1
DRAWING NO.		42122-21-08
TITLE		SCHEMATIC DIAGRAM OF FORCED OIL SYSTEM (20 LPM)
REV.	DATE	ALTERED
01	13.05.13	APPROVED
DEPT.	UNTO. DIMS. GR.	SCALE
AME		NTS
CODE 404	WEIGHT (K.G.)	
NAME OF CUSTOMER/PROJECT		DRN
M/S. OCL BENGAL CEMENT WORKS		CKD
CEMENT GRINDING UNIT AT MEDINIPUR		APPD
BHARAT HEAVY ELECTRICALS LTD.		
BHOPAL		
TYPE OF PRODUCT		
1RU1906-6,		
ADDITIONAL INFORMATION		
W.O. 42122A422-21		
STATUS OF DRAWING		
DISTRIBUTION OF PRINTS		
AME - 1		
PLM - 3		
TEX (PLM) - 1		

THE INFORMATION ON THIS DOCUMENT IS THE PROPERTY OF BHARAT HEAVY ELECTRICALS LIMITED. IT MUST NOT BE USED DIRECTLY OR INDIRECTLY IN ANY WAY DETRIMENTAL TO THE INTEREST OF THE COMPANY.