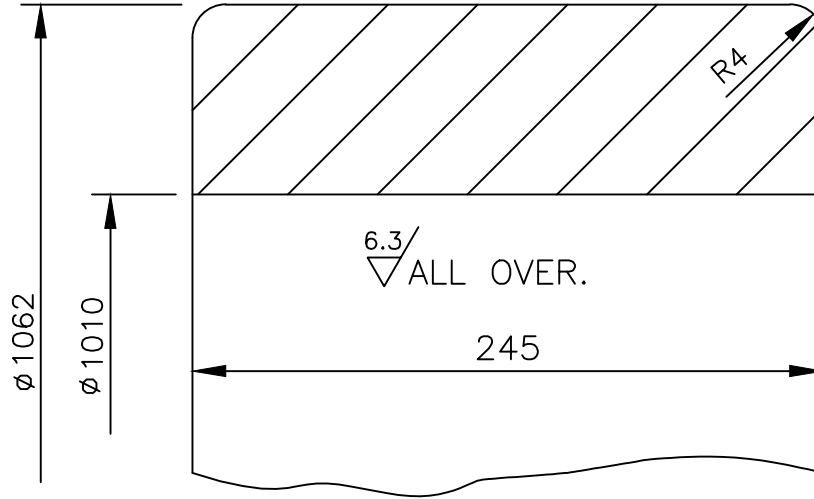


FIRST ANGLE PROJECTION

(ALL DIMENSIONS ARE IN mm)

REV.	DATE	ALTERED	REV.	DATE	ALTERED	ADDITIONAL INFORMATION 44133 X 425-11
		CHECKED			CHECKED	
						DISTRIBUTION AME-01, GTG(EM)-01
						OF PRINTS PLM-03

THE INFORMATION ON THIS DOCUMENT IS THE PROPERTY OF BHARAT HEAVY ELECTRICALS LIMITED. IT MUST NOT BE USED DIRECTLY OR INDIRECTLY IN ANY WAY DETRIMENTAL TO THE INTEREST OF THE COMPANY.



TR:-
1. FOR MATERIAL SPEC REFER ATTACHED ANNEXURE.

REF. DRG. No.

65	REMARKS	75	25	27	29	DESCRIPTION	58	59	34	MATL. CODE	45	55	56	58	UNIT WT.	65
			ITEM No.					STD.				A	57			
									46	MATL. SPECN.	54	C	UNIT	66	QTY.	71

SIGN & DATE

CARD TYPE 3	28	28	CARD TYPE 1	28	CARD TYPE 2		
	BHARAT HEAVY ELECTRICALS LTD. BHOPAL			DRN	NAME B.R.PATEL	SIGN	DATE 27-09-04
				CHD	MRS		
				APPD	V.A.		

INVENTORY No.

DEPT. AME	GRADE OF UN. TOL. DIM. ϕ /M/f		SCALE NTS	WEIGHT (Kg.)	REF. TO ASSY. DRG.	ITEM No.	75 77 No. OF ITEMS
CODE 404							
TITLE <u>RETAINING RING (ORDERING)</u>				1	3	7	DRAWING No. 4 403 80 42 058
				CARD CODE		22	REV. 00
				SHEET No.	01	No. OF SHEETS	01

RETAININGRING/058