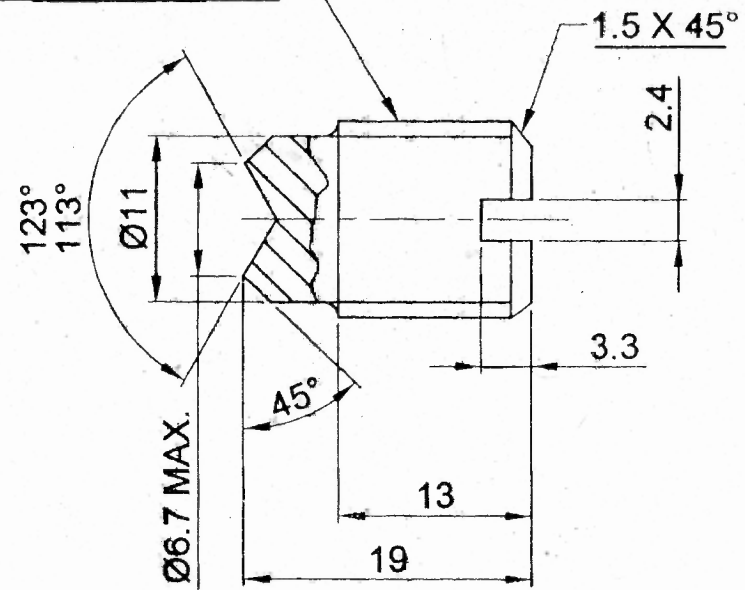


THE INFORMATION ON THIS DOCUMENT IS THE PROPERTY OF BHARAT HEAVY ELECTRICALS LIMITED. IT MUST NOT BE USED DIRECTLY OR INDIRECTLY IN ANY WAY DETRIMENTAL TO THE INTEREST OF THE COMPANY.

03.03.09	APPD.	APPD.	INFORMATION
DRG. UPDATED & DIGITIZED.			STATUS OF DRAWING
			DISTRIBUTION TME-1, TXM-3 OF PRINTS TNX-1

STYLE LIST		
VAR NO.	IT.NO.	ST NO.
-	001	BP9014751060

**SCREW P-1/4" PARALLEL**



**NOTE :-**

1. TOLERANCE ON UNTOLERATED DIMENSIONS - ±0.25.

B4900183 REV.4 REF. DRG. NO.

SIGN. & DATE

INVENTORY NO.

001	OIL INJECTION PLUG Ø15X19	NYLON66	Kg	0.05
REMARKS	ITEM NO.	DESCRIPTION	STD	
			46	54
			MATL. CODE	57
			MATL. SPCN.	58
			UNIT	68
			UNIT WT.	65
			QTY.	71



**BHARAT HEAVY ELECTRICALS LTD.**  
BHOPAL

DRN	NAME	SIGN	DATE	NO. OF VAR.
CKD	BHADB.	SD	6.12.86	
APPD	KDG	SD	6.12.86	

DEPT. T.M.E.	UNTOL. DIMS. GR.	SCALE	WEIGHT(K.G.)
CODE 405	M AA0230208	NTS	0.05

REF. TO ASSY. DRG.	ITEM NO.	NO. OF ITEM
14394360003	003	
04394001001	033	
04350016001	027	001

TITLE	DRAWING NO.	REV.
OIL INJECTION PLUG	4 439 40 00 001	05
165/M, TM4906AZ, GB12A/M, HS15250A		
TM4907	SHT. NO. 01	NO. OF SHT. 01