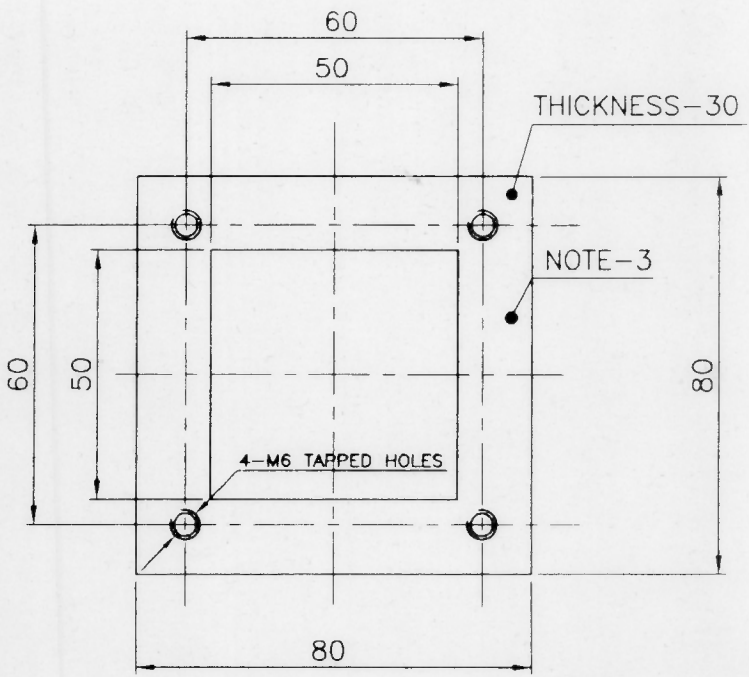


THE INFORMATION ON THIS DOCUMENT IS THE PROPERTY OF BHARAT HEAVY ELECTRICALS LIMITED. IT MUST NOT BE USED DIRECTLY OR INDIRECTLY IN ANY WAY DETRIMENTAL TO THE INTEREST OF THE COMPANY.

REV. 01	DATE 14.01.11	CHECKED	APPROVED	ADDITIONAL INFORMATION 4TWD.096.067(ALT.-04)
ZONE	ZONE	DRG. UPDATE & DIGITIZED.		STATUS OF DRAWING
				DISTRIBUTION TME-1, TXM-3 OF PRINTS TNX-1



**NOTE:-**

1. GENERAL TOLERANCE  $\pm 0.3$ .
2. THIS IS A COMMON DRAWING OF 6FRA-6068 AND 6FXA-7059, THE C & D NO. FOR 6FXA-7059 IS 5811/206.
3. FIRM'S IDENTIFICATION MARK SHOWN AT SPECIFIED LOCATION.

REF. DRG. NO.	001		FLANGE		IS: 2062'99 Gr.B				
	VAR00	REMARKS	ITEM NO.	DESCRIPTION	STD	MATL. CODE	UNIT	UNIT WT.	
	28	CARD TYPE-3	28	CARD TYPE-1	28	CARD TYPE-2			
SIGN. & DATE	<b>BHARAT HEAVY ELECTRICALS LTD.</b> <b>BHOPAL</b>				NAME	SIGN	DATE	NO. OF VAR.	
					DRN.	S.D.BHAGAT	-sd-	03.09.10	
					CHD.	D.K.	-sd-	03.09.10	
INVENTORY NO.	DEPT.	TME	UNTOL. DIMS. GR.	SCALE	WEIGHT (K.G.)	REF. TO ASSY. DRG.	ITEM NO.	NO. OF ITEM	
	CODE	405		1:1		04453164052			
	TITLE	<b>FLANGE</b> <b>6FRA6068</b>				DRAWING NO.	4 445 31 64 059	REV. 01	
						SHT. NO. 01	NO. OF SHT. 01		

SIZE A4