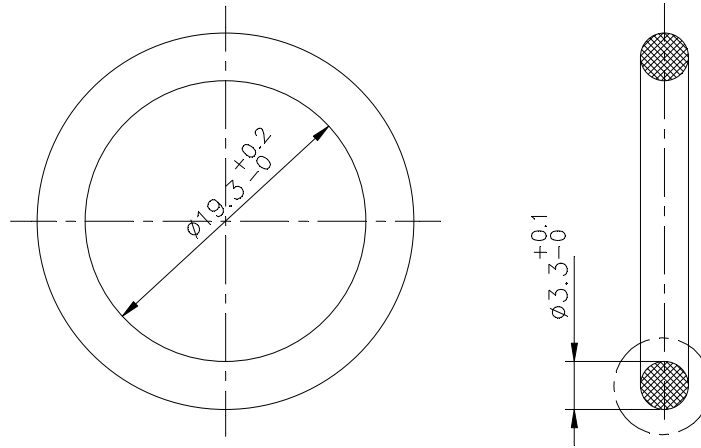


FIRST ANGLE PROJECTION

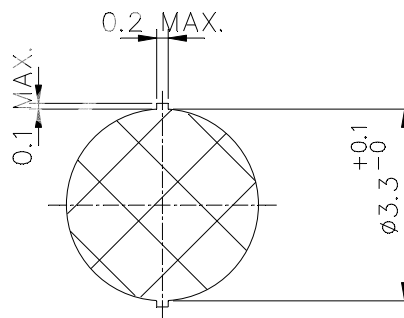
(ALL DIMENSIONS ARE IN mm)

THE INFORMATION ON THIS DOCUMENT IS THE PROPERTY OF BHARAT HEAVY ELECTRICALS LIMITED IT MUST NOT BE USED DIRECTLY OR INDIRECTLY IN ANY WAY DETRIMENTAL TO THE INTEREST OF THE COMPANY

REV. 03	DATE 17.11.04	ALTERED CHECKED APPROVED H.R.P.	REV. 04	DATE 13.06.12	ALTERED CHECKED APPROVED ARUN RRR DIVYA	ADDITIONAL INFORMATION
DRG. REDRAWN.			DETAILS TO BE ADDED			STATUS OF DRAWING B
(DCA NO. 21830)			(DCA NO. 31135)			DISTRIBUTION OF PRINTS □.C.-1 SWM-3 TCX-1



SEE DETAIL-A



DETAIL-A
(CROSS SECTIONAL VIEW)

REF. DRG. NO. SIGN. & DATE INVENTORY NO.

BP9099330180	001	FLURO CARBON RUBBER	AA59808	Kg.	0.001
REMARKS	ITEM NO.	DESCRIPTION	MATL. CODE	UNIT	UNIT WT.
			MATL. SPCN.		QTY.

28 → CARD TYPE-3 28 → CARD TYPE-1 28 → CARD TYPE-2

	भारत हेवी इलेक्ट्रीकल्स लिमिटेड भोपाल		नाम NAME	हस्ताक्षर SIGN	दिनांक DATE	वे. री. की संख्या NO. OF VAR.
	BHARAT HEAVY ELECTRICALS LTD. BHOPAL		कनारा DRN	G.P.	Sd/-	30.3.94
			जीया CKD	P.S.S.	Sd/-	30.3.94
			अनुमोदित APPD	D.K.D.	Sd/-	15.4.94

विभाग DEPT SWE	अन. टाल. नाप की श्रेणी UNTO. DIMS. GR. M		अनुपात SCALE 2:1	भार कि.ग्रा. WEIGHT (K.G.) -	असे.ड्राईंग का संदर्भ REF. TO ASSY. DRG. 1 517 03 00500	मद क्र. ITEM NO. 003	मद संख्या NO. OF ITEM 001
कोड CODE 409	AA0230208				आरेख क्र./DRAWING NO. 4 517 03 00507		पुन/REV. 04
शीर्षक/TITLE O-RING (RFT)					पृष्ठ क्र./SHT. No. 01	पृष्ठों की संख्या/NO. OF SHT. 01	