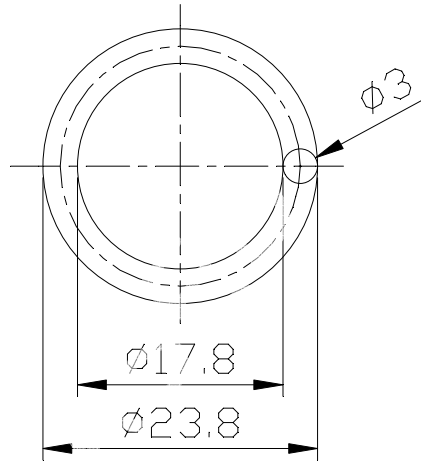


FIRST ANGLE PROJECTION

(ALL DIMENSIONS ARE IN mm)

THE INFORMATION ON THIS DOCUMENT IS THE PROPERTY OF BHARAT HEAVY ELECTRICALS LIMITED IT MUST NOT BE USED DIRECTLY OR INDIRECTLY IN ANY WAY DETRIMENTAL TO THE INTEREST OF THE COMPANY

REV.	DATE	ALTERED	REV.	DATE	ALTERED	ADDITIONAL INFORMATION
		CHECKED			CHECKED	
		APPROVED			APPROVED	
					STATUS OF DRAWING	
					DISTRIBUTION OF PRINTS	



FINISH: -

MATERIAL SHALL HAVE SMOOTH FINISH.

45170301003-00 -01
REF. DRG. NO.

65	75	25	27	29	58	59	46	54	55	56	68	71
REMARKS		ITEM NO.	DESCRIPTION			STD	MATL. CODE	A I C	UNIT	UNIT WT.		
		001	NITRILE RUBBER				AA59807			QTY.		
							MATL. SPCN.					

28 → CARD TYPE-3

28 → CARD TYPE-1

28 → CARD TYPE-2



भारत हेवी इलेक्ट्रीकल्स लिमिटेड
भोपाल
BHARAT HEAVY ELECTRICALS LTD.
BHOPAL

नाम NAME	हस्ताक्षर SIGN	दिनांक DATE	वे. क्र. की संख्या NO. OF VAR.
कनारा DRN	SSA	04.08.08	
जीका CKD	RRR	04.08.08	
अनुमोदित APPD	HRP	04.08.08	

विभाग DEPT SWE	अन. टोल. नाप की श्रेणी UNTOLD.DIMS. GR. M		अनुपात SCALE 1:1	भार. कि.ग्रा. WEIGHT (K.G.)	असेम्ब्लींग का संदर्भ REF. TO ASSY. DRG.	मद क्र. ITEM NO.	मद संख्या NO. OF ITEM 001
कोड CODE 409	AA0230208						

शीर्षक/TITLE	O RING	आरेख क्र./DRAWING NO.	45170301003	पुन./REV.	00
		पृष्ठ क्र./SHT. No.	01	पृष्ठों की संख्या/NO. OF SHT.	01