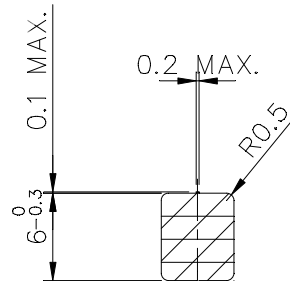
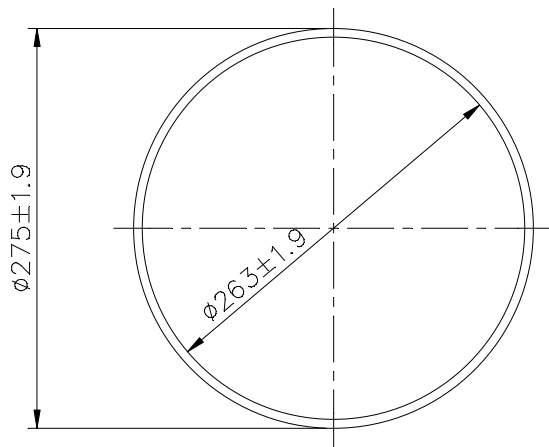


FIRST ANGLE PROJECTION

(ALL DIMENSIONS ARE IN mm)

THE INFORMATION ON THIS DOCUMENT IS THE PROPERTY OF BHARAT HEAVY ELECTRICALS LIMITED IT MUST NOT BE USED DIRECTLY OR INDIRECTLY IN ANY WAY DETRIMENTAL TO THE INTEREST OF THE COMPANY

REV. 04	DATE 19.11.04	ALTERED CHECKED APPROVED HRP	REV. 03	DATE 26.9.96	ALTERED CHECKED APPROVED Sd/-	ADDITIONAL INFORMATION
DRG. REDRAWN.			DIA.275 & DIA.263 WERE DIA.276 & DIA.264 RESPTLY.			STATUS OF DRAWING B
(DCA NO. 21500)						DISTRIBUTION OF PRINTS □.C.-1 SWM-3 TCX-1



5±0.15 FOR IT.001
9±0.15 FOR IT.002

CROSS SECTION

REF. DRG. NO.	002	GASKET, NITRILE BUTADIENE RUBBER	BP7240198	Kg.	0.057		
	001	GASKET, NITRILE BUTADIENE RUBBER	BP7240198	Kg.	0.032		
REMARKS	ITEM NO.	DESCRIPTION	MATL. CODE	UNIT	UNIT WT.		
			MATL. SPCN.		QTY.		
SIGN. & DATE	28 →	CARD TYPE-3	28 →	CARD TYPE-1	28 →	CARD TYPE-2	
	भारत हेवी इलेक्ट्रीकल्स लिमिटेड भोपाल BHARAT HEAVY ELECTRICALS LTD. BHOPAL			नाम NAME	हस्ताक्षर SIGN	दिनांक DATE	वे.रि. की संख्या NO. OF VAR.
INVENTORY NO.	विभाग DEPT SWE	अन. टोल. नाप की श्रेणी UNTOL.DIMS. GR. M	अनुपात SCALE 1:5	भार कि.ग्रा. WEIGHT (K.G.) -	असेम्बली का संदर्भ REF. TO ASSY. DRG. 05171000501	मद क्र. ITEM NO. 015	मद संख्या NO. OF ITEM 004
	कोड CODE 409	AA0230208					
शीर्षक/TITLE					GASKET		आरेख क्र./DRAWING NO. 4 517 10 00505
					पृष्ठ क्र./SHT. No. 01		पृष्ठों की संख्या/NO. OF SHT. 01