

FIRST ANGLE PROJECTION

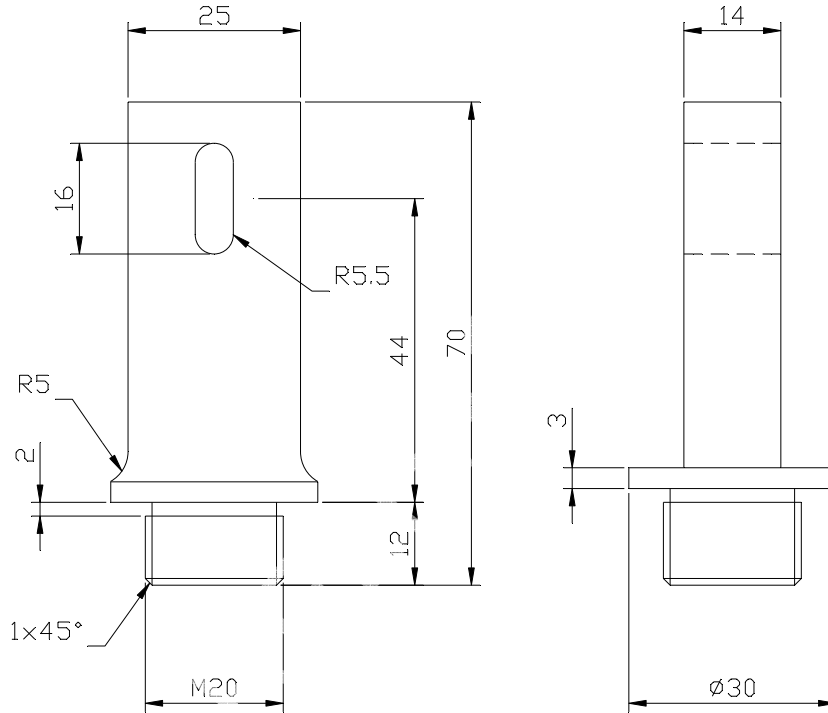
(ALL DIMENSIONS ARE IN mm)

THE INFORMATION ON THIS DOCUMENT IS THE PROPERTY OF BHARAT HEAVY ELECTRICALS LIMITED IT MUST NOT BE USED DIRECTLY OR INDIRECTLY IN ANY WAY DETRIMENTAL TO THE INTEREST OF THE COMPANY

REV. 02	DATE 26.09.96	ALTERED	Sd/-	REV. 01	DATE 30.12.94	ALTERED	Sd/-	ADDITIONAL INFORMATION
		CHECKED	Sd/-			CHECKED	Sd/-	
		APPROVED	Sd/-			APPROVED	Sd/-	
DIM. 14 WAS 16				DIMS. 44 & 70 WERE 55 & 80 RESPECTIVELY. DIM 2 FOR UNDERCUT ADDED. (DCA NO. 6396)				STATUS OF DRAWING B
								DISTRIBUTION OF PRINTS □.C.-1 SWM-3 TCX-1

REV. 03	DATE 07.12.00	ALTERED	Sd/-	REV. 04	DATE 18.8.04	ALTERED	
		CHECKED	Sd/-			CHECKED	
		APPROVED	Sd/-			APPROVED	

12 DIGIT BP STYLE CODE ADDED. <DCA NO. 10315> DRG. REDRAWN. <DCA NO.20781>



NOTE :- 1) ITEMS SHOULD BE THOROUGHLY DEGREASED, CLEANED & DRIED BEFORE SEALING IN POLYTHENE PACK INDIVIDUALLY.

001	Ø30 x 70 LG. PTFE MOULDING	BP9069330580	KG.	0.070
		BP22899		001
REMARKS	ITEM NO.	DESCRIPTION	MATL. CODE	UNIT WT.
			MATL. SPCN.	QTY.

28 → CARD TYPE-3      28 → CARD TYPE-1      28 → CARD TYPE-2

	भारत हेवी इलेक्ट्रिकल्स लिमिटेड भोपाल		नाम NAME	हस्ताक्षर SIGN	दिनांक DATE	वे. संख्या NO. OF VAR.	
	BHARAT HEAVY ELECTRICALS LTD. BHOPAL		बनया DRN	B.R.M.	Sd/-	28.03.94	-
			जांचा CKD	P.S.S.	Sd/-	08.04.94	
			अनुमोदित APPD	D.K.D.	Sd/-	03.05.94	

विभाग DEPT SWE	अन. टाल. नाप की त्रैपी UNTEL.DIMS. GR. M AA0230208	अनुपात SCALE 1:1	भार. कि.ग्रा. WEIGHT (K.G.)	असे. ड्राइंग का संदर्भ REF. TO ASSY. DRG. 05171000501	मद क. ITEM NO. 016	मद संख्या NO. OF ITEM 001
कोड CODE 409				आरेख क्र./DRAWING NO. 45171000509		पुन/REV. 04
शीर्षक/TITLE SUPPORT STUD				पृष्ठ क्र./SHT. No. 01		पृष्ठों की संख्या/NO. OF SHT. 01

51710\45171000509-R04-S01