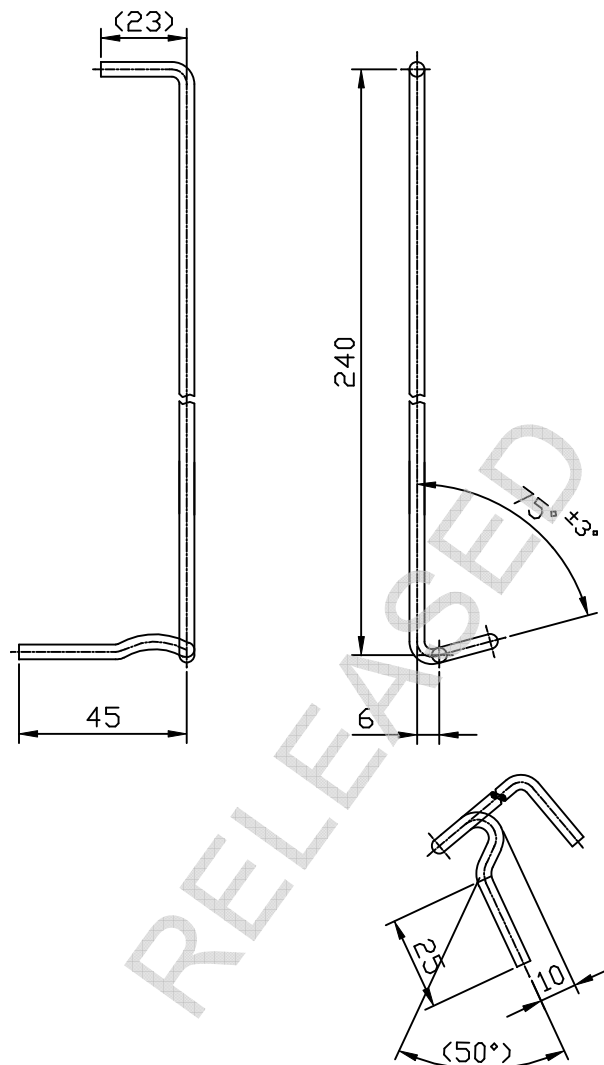


FIRST ANGLE PROJECTION

(ALL DIMENSIONS ARE IN mm)

THE INFORMATION ON THIS DOCUMENT IS THE PROPERTY OF BHARAT HEAVY ELECTRICALS LIMITED
IT MUST NOT BE USED DIRECTLY OR INDIRECTLY IN ANY WAY DETRIMENTAL TO THE INTEREST OF THE COMPANY

REV.	DATE	ALTERED	REV.	DATE	ALTERED	ADDITIONAL INFORMATION
		CHECKED	01	27.09.03	CHECKED	
		APPROVED			APPROVED	
			DRG. REDRAWN.			STATUS OF DRAWING B
			(DCA NO. 12845)			DISTRIBUTION OF PRINTS □.C.-1 SWM-3 TCX-1



BENDING RADIUS R4±0.5

FINISH :-

NATURAL

RELEASED

52110\45211001559-R01-S01

SIGN. & DATE	4HT40900550 REF. DRG. NO.		BP9099431643	001	Ø4x317 LG. STAINLESS STEEL WIRE	BP 10568	0.0156	
	REMARKS	ITEM NO.	DESCRIPTION	STD	MATL. CODE	UNIT	UNIT WT.	
INVENTORY NO.	28 → CARD TYPE-3	28 → CARD TYPE-1	28 → CARD TYPE-2		MATL. SPCN.		QTY.	
	भारत हेवी इलेक्ट्रिकल्स लिमिटेड भोपाल BHARAT HEAVY ELECTRICALS LTD. BHOPAL	विभाग DEPT SWE	अन. टोल. नाप की त्रेणी UNTOOL.DIMS. GR. M	अनुपात SCALE 1:2	भार. कि.ग्रा. WEIGHT (K.G.)	असेम्ब्ली का संदर्भ REF. TO ASSY. DRG. 35211001556	मद क. ITEM NO. 023	मद संख्या NO. OF ITEM 001
		कोड CODE 409	AA0230208					
शीर्षक/TITLE		WIRE SPRING		आरेख क्र./DRAWING NO. 45211001559	पुन/REV. 01			
	पृष्ठ क्र./SHT. No. 01	पृष्ठों की संख्या/NO. OF SHT. 01						