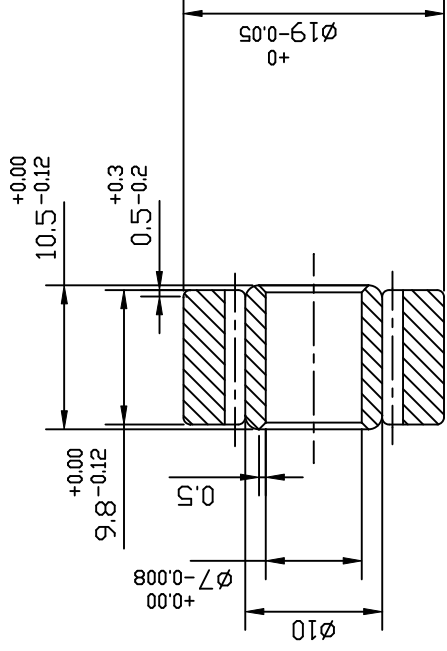


FIRST ANGLE PROJECTION

(ALL DIMENSIONS ARE IN mm)

REV. DATE	ALTERED	ABHISHEK	REV.	DATE	ALTERED	PARE	ADDITIONAL
04 13.03.13	CHECKED	RG	03	27.09.12	CHECKED	RG	INFORMATION
	APPROVED	MAK			APPROVED	MAK	
CHAMFERING REMOVED FROM DIM $\phi 19$				MODEL & MAKE UPDATED WEIGH ADDED.			
(DCA NO. 31755 >				(DCA NO. 31347 >			
STATUS OF DRAWING				B			
DISTRIBUTION OF PRINTS				SWE		SWM	
				1		3	
TCX				1			



LOAD CAPACITY : - STATIC LOAD C = 700 KG.
 DYNAMIC LOAD CD = 730 KG.
RADIAL LOAD : - CW = 510 KG.
 CDW = 610 KG.
RADIAL CLEARANCE : - 0.005 TO 0.024

NOTE : -

- THE BEARING CONTAINS 24 NEEDLE ROLLERS OF $\phi 1.5 \times 9.8$ LG. TYPE G2.
- THE BEARING SHALL BE GREASED WITH ROLLER BEARING GREASE (NLGI2) AS PER DIN 51825
- THE BEARING IS EQUIVALENT OF NEEDLE ROLLER BEARING TYPE
 1) STUTZROLLE F87773-1 ST7x19x10.5 WITH INNER RING 7x10x10.5 OF M/S INA.
 2) STUTZROLLE F237522 A00 ST7x19x10.5 OF M/S INA.

BP9029432551	001	NEEDLE ROLLER BEARING	SG 12720	0.018
REMARKS	7525 2729	DESCRIPTION	54 55 56 68	UNIT WT.
			MATL. CODE	71
			MATL. SPCN.	QTY.

28 → CARD TYPE-3		28 → CARD TYPE-1		28 → CARD TYPE-2	
		भारत हेवी इलेक्ट्रिकल्स लिमिटेड भोपाल BHARAT HEAVY ELECTRICALS LTD. BHOPAL		कार्या DRN C.H.U.	स्वीकृत SIGN Sd/-
विभाग DEPT SWE	उपा. टोल. नाच की श्रेणी UNTOLDIMS. GR. M AA 0230208		अणुपात SCALE 1:1	भारक शि.ग.ल. WEIGHT (K.G.)	वे. र. की संख्या NO. OF VAR. -
कोड CODE 409	आरेख/ टाइटल BEARING SUPPORT ROLLER	उद्देश्य REF. TO ASSY. DRG. 35211001556	आदेश संख्या B.P.N./R.K.G. 074	वे. र. की संख्या NO. OF VAR. -	वे. र. की संख्या NO. OF VAR. -
INVENTORY NO.		आरेख क्र./DRAWING NO. 45211001621		पृष्ठ क्र./REV. 04	
45211001621-R02-S01 REF. DRG. NO.		45211001621-R02-S01 REF. DRG. NO.		01 पृष्ठों की संख्या/No. of SHT. 01	

THE INFORMATION ON THIS DOCUMENT IS THE PROPERTY OF BHARAT HEAVY ELECTRICALS LIMITED IT MUST NOT BE USED DIRECTLY OR INDIRECTLY IN ANY WAY DETRIMENTAL TO THE INTEREST OF THE COMPANY

