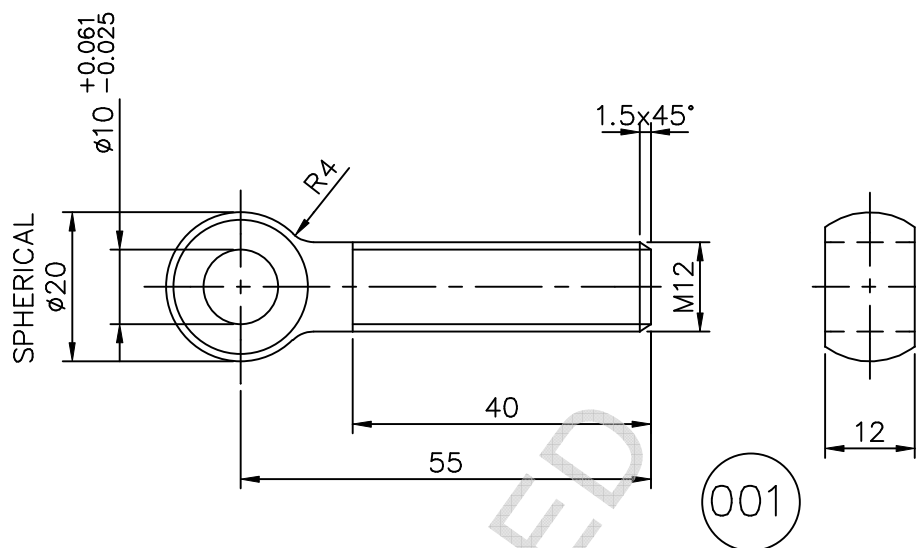


THE INFORMATION ON THIS DOCUMENT IS THE PROPERTY OF BHARAT HEAVY ELECTRICALS LIMITED IT MUST NOT BE USED DIRECTLY OR INDIRECTLY IN ANY WAY DETRIMENTAL TO THE INTEREST OF THE COMPANY

REV. 05	DATE 17.03.09	ALTERED CHECKED RRR APPROVED HRP	SSA	REV. 04	DATE 8.12.04	ALTERED CHECKED APPROVED RM	ADDITIONAL INFORMATION
NOTE-2 DELETED. (DCA NO. 28653)				DRG. REDRAWN. & SHT. 02 & 03 ADDED. (DCA NO.)			STATUS OF DRAWING DISTRIBUTION □,C.-1 SWM-4 OF PRINTS TCX-1




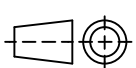
FINISH :-

ZINC PLATE & PASSIVATE TO AA0673603 & 0673604 (0.013 TK. MIN.)

NOTES :-

1. THREADS SHALL CONFIRM TO PRECISION CLASS MEDIUM AS PER DIN 267.
2. SURFACE FINISH OF THREADS 25KM.
3. FOR ADDITIONAL DESIGN PARAMETERS REFER SC7773112.

MATERIAL - STEEL FORGINGS TO AA19331.

REF. DRG. NO.	ST946110	003	M12x75 LG. SWING BOLT									
	ST946109	002	M12x65 LG. SWING BOLT									
	ST946609	001	M12x55 LG. SWING BOLT									
REMARKS	75	25	27	29	58	59	46	54	55	56	68	71
	ITEM NO.	DESCRIPTION		STD	MATL. CODE	A	C	UNIT	UNIT WT.			
					MATL. SPCN.				QTY.			
SIGN. & DATE	28 → CARD TYPE-3			28 → CARD TYPE-1			28 → CARD TYPE-2					
	 भारत हे वी इलेक्ट्रीकल्स लिमिटेड भोपाल BHARAT HEAVY ELECTRICALS LTD. BHOPAL				नाम CD	हस्ता SIGN	दिनांक DATE	वे. री. की संख्या NO. OF VAR.				
					जांचा CKD	MZG	Sd/-	-	-			
INVENTORY NO.					अनुमोदित APPD	SMM	Sd/-	17.2.89	-			
	विभाग DEPT SWE	अन. टोल. नाप की त्रेणी UNTOOL.DIMS. GR.			अनुपात SCALE	भार व. ग. म. WEIGHT (K.G.)	असे. ड्रॉइंग का संदर्भ REF. TO ASSY. DRG.	मद क. ITEM NO.	मद संख्या NO. OF ITEM			
	कोड CODE 409			1:1	-	35211001679	001	002	003			
शीर्षक/ TITLE							आरेख क्र./DRAWING NO.			पुन./REV.		
SWING BOLT							4 521 10 01716			05		
							पृष्ठ क्र./SHT. No.	01	पृष्ठों की संख्या/No. OF SHT.	03		