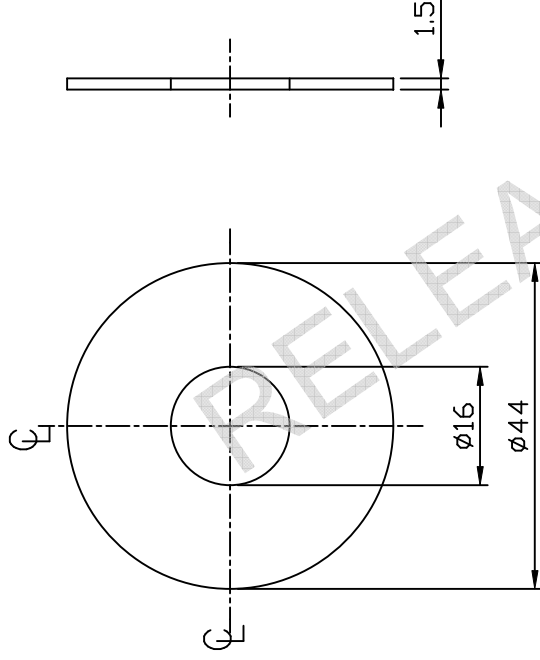


FIRST ANGLE PROJECTION

(ALL DIMENSIONS ARE IN mm)

REV.	DATE	ALTERED CHECKED APPROVED	REV.	DATE	ALTERED CHECKED APPROVED	ADDITIONAL INFORMATION
STATUS OF DRAWING			B			
DISTRIBUTION OF PRINTS			SWE	SWM	TCX	
			1	3	1	



THE INFORMATION ON THIS DOCUMENT IS THE PROPERTY OF BHARAT HEAVY ELECTRICALS LIMITED IT MUST NOT BE USED DIRECTLY OR INDIRECTLY IN ANY WAY DETRIMENTAL TO THE INTEREST OF THE COMPANY

REF. DRG. NO.

SIGN. & DATE

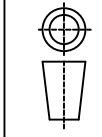
INVENTORY NO.

BP9099185545	001	Ø44x1.5 LG. RUBBER COMPRESSED ASBESTOS FIBRE SHT.	58 59 46	AA 21501	0.0039
REMARKS	7525 27/29	DESCRIPTION	54 55 56 68		001
	ITEM NO.		MATL. CODE		UNIT WT.
			MATL. SPCN.		71
28 → CARD TYPE-3	28 → CARD TYPE-1	28 → CARD TYPE-2			



भारत हेवी इलेक्ट्रिकल्स लिमिटेड  
भोपाल  
BHARAT HEAVY ELECTRICALS LTD.  
BHOPAL

विभाग  
DEPT SWE  
कोड  
CODE 409  
अन. टा. वाप की नैजी  
UNTOI.DIMS. GR.  
M  
AA 0230208



अनुपात  
SCALE  
1:1

भारत का. वजन  
WEIGHT (K.G.)

शीर्षक/TITLE

GASKET  
PVN 12/36

आरेख क्र./DRAWING NO.

45213030985

उत्प्रेक्षित  
APPD SC

उत्प्रेक्षित का संदर्भ  
REF. TO ASSY. DRG.  
35213030604  
35217001520

मद. क्र.  
ITEM NO.  
085  
069

मद. संख्या  
NO. OF  
ITEM  
001

पुन./REV.

00

पृष्ठ क्र./SHT. No. 01

पृष्ठों की संख्या/NO. OF SHT. 01