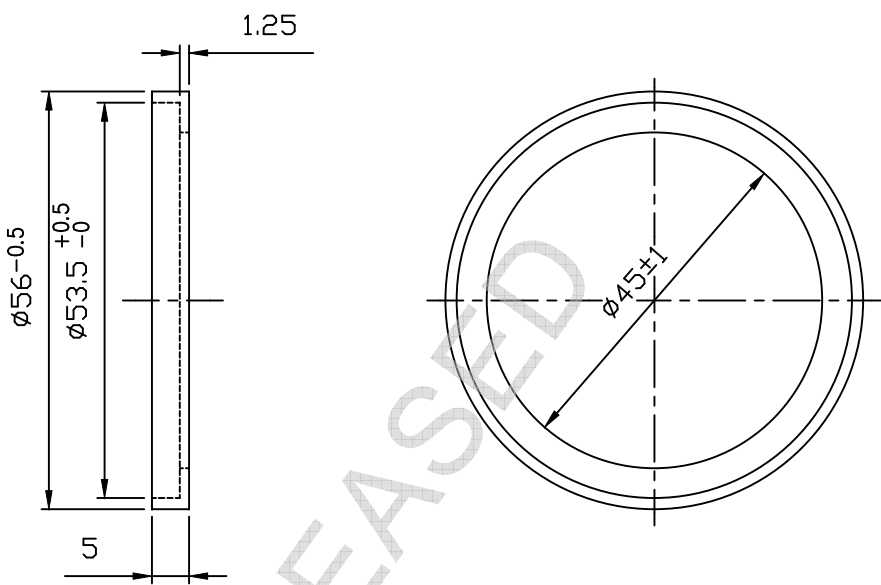



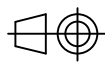
REV.	DATE	ALTERED	REV.	DATE	ALTERED	ADDITIONAL INFORMATION
		CHECKED			CHECKED	
						STATUS OF DRAWING B
						DISTRIBUTION O/C-1 SWM-3
						OF PRINTS TCX-1

THE INFORMATION ON THIS DOCUMENT IS THE PROPERTY OF BHARAT HEAVY ELECTRICALS LIMITED. IT MUST NOT BE USED DIRECTLY OR INDIRECTLY IN ANY WAY DETRIMENTAL TO THE INTEREST OF THE COMPANY.



ITEM 001

45210050751-R00-S01	REF. DRG. No.	BP9099471882	001	5TK. x 55 x 55 LG. NITRIL RUBBER MOULDING	AA59802	KG.	-
		REMARKS	ITEM NO.	DESCRIPTION	MATL. CODE	A I C	UNIT WT.
					MATL. SPECN	UNITS	QTY.

INVENTORY No.	SIGN & DATE	 BHARAT HEAVY ELECTRICALS LIMITED BHOPAL		NAME	SIGN.	DATE	NO. OF VAR
		DEPT. SWE	UN. TOL. DIM. GR.	DRN	B. K. T.		
		CODE 409	M AA 0230208	CHD	S. RAVI		
			 SCALE 1:1	APPD	N. BHOGAL		-
			WEIGHT (Kg.) -	REF. TO ASSY. DRG.		ITEM MO.	NO. OF ITEMS
				35217001721		010	001
TITLE				DRAWING No.			REV.
GUIDE RING				45217001751			00
				SHEET NO. 01		NO. OF SHEETS 01	