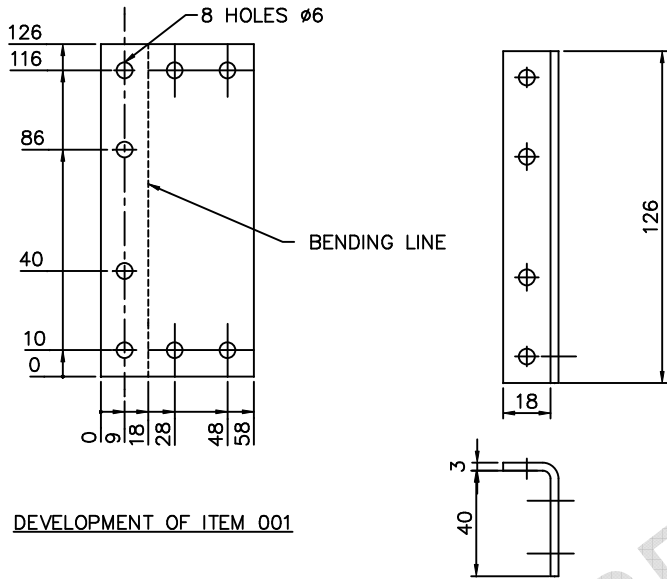


THE INFORMATION ON THIS DOCUMENT IS THE PROPERTY OF BHARAT HEAVY ELECTRICALS LIMITED
IT MUST NOT BE USED DIRECTLY OR INDIRECTLY IN ANY WAY DETRIMENTAL TO THE INTEREST OF THE COMPANY

FIRST ANGLE PROJECTION

(ALL DIMENSIONS ARE IN mm)

REV.	DATE	ALTERED	REV.	DATE	ALTERED	ADDITIONAL INFORMATION
		CHECKED			CHECKED	
		APPROVED			APPROVED	
						STATUS OF DRAWING
						DISTRIBUTION OF PRINTS



DEVELOPMENT OF ITEM 001

ITEM 001

RELEASED

45219002506-R00-S01
REF. DRG. NO.

65	75	25	27	29	58	59	34	45	55	56	58	65
REMARKS	ITEM NO.	DESCRIPTION	MATL. CODE	MATL. SPCN.	UNIT	KG.	UNIT WT.	QTY.				
	001	3TK X 58 X 126 LG POLYCARBONATE STRIP	SG10701			-	001					

SIGN. & DATE	28 → CARD TYPE-3	28 → CARD TYPE-1	28 → CARD TYPE-2					
	BHARAT HEAVY ELECTRICALS LTD. BHOPAL			NAME	SIGN	DATE	NO. OF VAR.	
				DRN	P.PARE	<input type="checkbox"/>		12/11/013
				CKD	K.S.M	<input type="checkbox"/>		12/11/013
APPD	M.H	<input type="checkbox"/>	12/11/013					

INVENTORY NO.	DEPT	SWE	UNTD. DIMS. GR.		SCALE	1 : 2	WEIGHT (KG.)	REF. TO ASSY. DRG.	35219005501	ITEM NO.	004	NO. OF ITEM	001
	CODE	409	-					TITLE	CLEAT	DRAWING NO.	4 521 900 2506	REV.	00
									SHT. No.	NO. OF SH.			