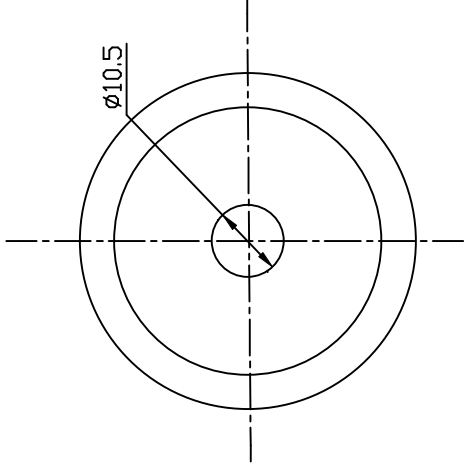
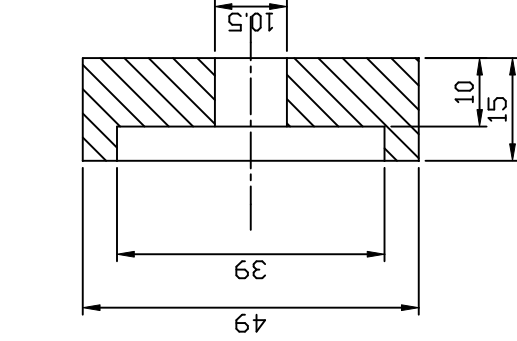
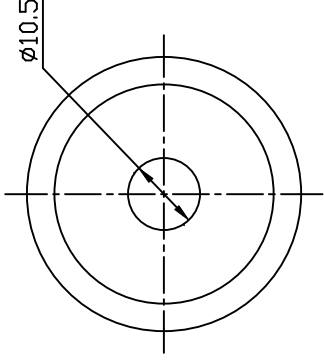
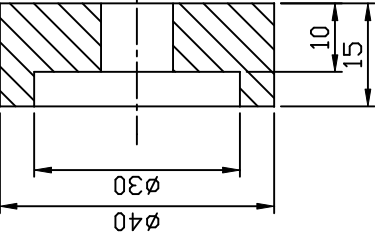


REV. DATE	ALTERED CHECKED	MKN	REV. DATE	ALTERED CHECKED	ADDITIONAL INFORMATION
02 03.11.12	CHECKED	MAK	01 19.04.02	CHECKED	STATUS OF DRAWING
ITEM 002 ADDED, SPEC OF ITEM 001 REVISED, (DCA. NO. 31415)			DESIGN MODIFIED, (DCA NO. )		
			DISTRIBUTION □/C-1 SWM-3 OF PRINTS TCX-1		



THE INFORMATION ON THIS DOCUMENT IS THE PROPERTY OF BHARAT HEAVY ELECTRICALS LIMITED. IT MUST NOT BE USED DIRECTLY OR INDIRECTLY IN ANY WAY DETRIMENTAL TO THE INTEREST OF THE COMPANY.

45219002527-R02-S01

REF. DRG. No.	BP9069463521	0.016
ITEM NO.	SG 12730	€ 001
REMARKS	AA12330	€ 0.040
	MATL. CODE	UNIT WT.
	MATL. SPECN	QTY.
	A - C	

SIGN & DATE	NAME	SIGN.	DATE	NO OF VAR
	S.U.S.	Sd/-	28.12.01	
	S.S.A.	Sd/-	28.12.01	
DEPT. SWE	UN. TOL.DIMGR.	SCALE	WEIGHT (Kg)	REF. TO ASSY. DRG.
CODE 409	M AA 0230208	1:1	-	3 521 90 02554

INVENTORY No.	DRAWING No.	REV.
	4 521 90 02527	02
SHEET NO. 01	NO OF SHEETS 01	



BHATAT HEAVY ELECTRICALS LIMITED  
BHO PAL



TITLE

ROLLER