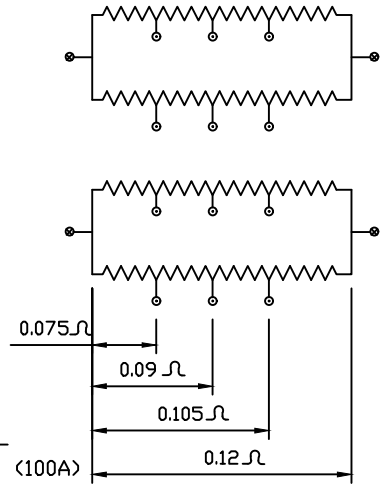
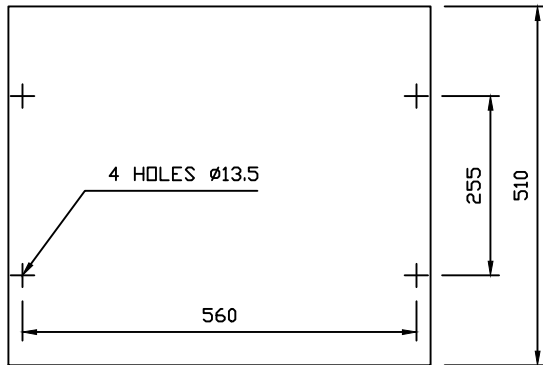
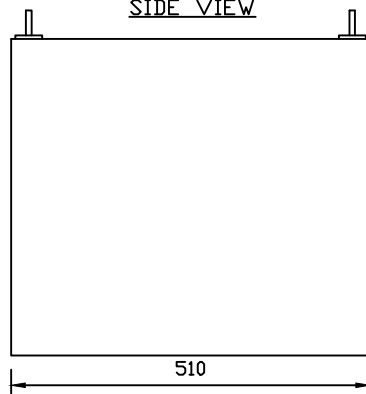
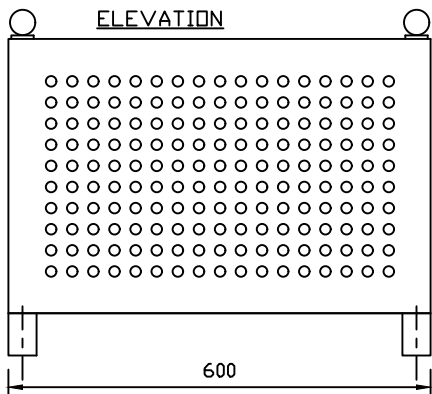


FIRST ANGLE PROJECTION

(ALL DIMENSIONS ARE IN mm)

THE INFORMATION ON THIS DOCUMENT IS THE PROPERTY OF BHARAT HEAVY ELECTRICALS LIMITED. IT MUST NOT BE USED DIRECTLY OR INDIRECTLY IN ANY WAY DETRIMENTAL TO THE INTEREST OF THE COMPANY.

REV.	DATE	ALTERED	REV.	DATE	ALTERED	MATHEW C.K.	ADDITIONAL INFORMATION
		CHECKED	01	1.12.05	CHECKED		
		APPROVED			APPROVED		STATUS OF DRAWING
			DRG. COMPUTERISED.				
						DISTRIBUTION OF PRINTS □C-1 RFM-3 TCX(RFM)-1	



**SPECIFICATION**

SERVICE-INDOOR  
 TYPE-RP  
 NO. OF ELEMENT-50A  
 RATED OHMS-0.12 Ω  
 RATED DUTY-CONT  
 ENCLOSURE-SHEET STEEL WITH PERFORATED ALL SIDES.  
 TOTAL WT-40KG. APPROX.

⊗-100A TERMINAL  
 ⊙TAPPING POINT (100A)

**SCHMATIC DIAGRAM**

NOTE:- UNIT SHALL BE PAINTED WITH EPOXY PAINT SHADE 631 LIGHT GREY TO IS-5 TO WITHSTAND CORROSIVE FUMES.

REF. DRG. NO.	REMARKS	ITEM NO.	DESCRIPTION	STD	MATL. CODE	UNIT	UNIT WT.
					MATL. SPECN.		QTY.

SIGN. & DATE	विभाग DEPT. NO. 407 कोड 407	अन.टोल.नाप की त्रेपी UNTOL. DIMS. GR. REF. CG 06503	अनुपात SCALE -	भार (कि.ग्रा.) WEIGHT(KG) -	नाम / NAME M.M.H.	हस्ता. /SIGN Sd/-	दि./DATE 18.8.83	वेरि की संख्या NO. OF VAR.
					खनाया DRN. जॉचा CKD. स्वीकृत APPD.	R.C.S. Sd/-	18.8.83	-
INVENTORY NO.	कम्प्यूटर ड्राइंग फाइल नं. 46500500025	भारत हेवी इलेक्ट्रिकल्स लिमिटेड BHOPAL		भार (कि.ग्रा.) WEIGHT(KG) -	असे.ड्राइंग का संदर्भ REF.TO ASSY.DRG.	मद क्र. ITEM NO.	मद संख्या NO. OF ITEM	
					ड्राइंग क्र. /DRAWING NO. 4 650 05 00025	पुन./REV 01		
शीट क्र /SHT.NO 01					शीटों की सं./NO.OF.SHT. 01			