

THE INFORMATION ON THIS DOCUMENT IS THE PROPERTY OF BHARAT HEAVY ELECTRICALS LIMITED IT MUST NOT BE USED DIRECTLY OR INDIRECTLY IN ANY WAY DETRIMENTAL TO THE INTEREST OF THE COMPANY

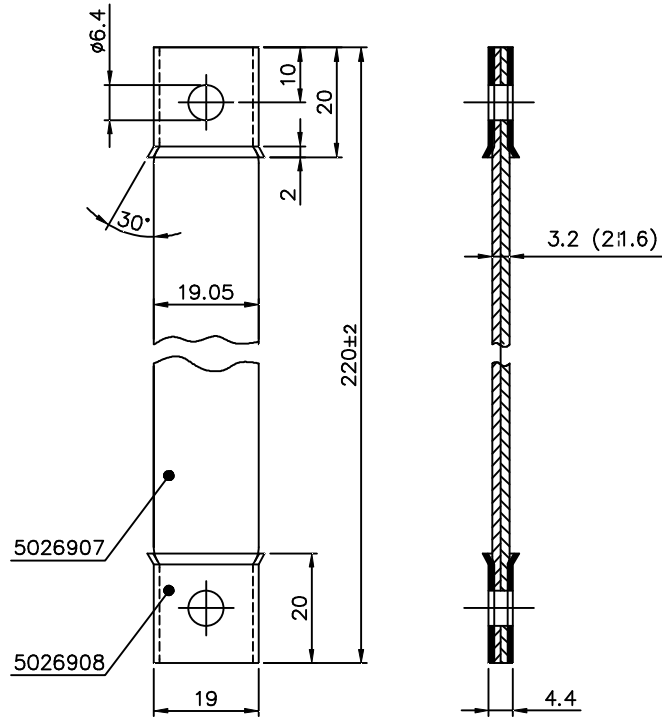
5002512-R05-S01
REF. DRG. NO.

SIGN. & DATE

INVENTORY NO.

REV.	DATE	ALTERED	AKU	ADDITIONAL INFORMATION
		CHECKED	KIRTI	
		APPROVED	SKP	
05	13.09.08			STATUS OF DRAWING
DRAWING REDRAWN DIM. 250 WAS 220				DISTRIBUTION
(DCA NO.-27987)				OF PRINTS
				SWE
				SWM
				TCX
				1
				3
				1

TOOL LIST		
TEM	TOOL NO.	DESCRIPTION
-	1463363	PUNCHING TOOL
-	1485502	SHUNT TOOL FOR 19 WIDTH



HAKjr gsoh bysDV&hdYl fyfeVsM
HAKsiky
BHARAT HEAVY ELECTRICALS LTD.
BHPAL

NAME	DATE	DATE	DATE
V.KUMAR	Sd/-	03.01.77	
B.S.R	Sd/-	08.01.77	
B.S.S	Sd/-	11.01.77	

DEPT SWE
UNTOL.DIMS. GR.
M
AA 0230208



SCALE
1:1

WEIGHT (K.G.)

REF. TO ASSY. DRG.

ITEM NO.

REV.

BRAIDED WIRE ASSY.
(ON LOAD TAP CHANGER)

5002512

05

01 01