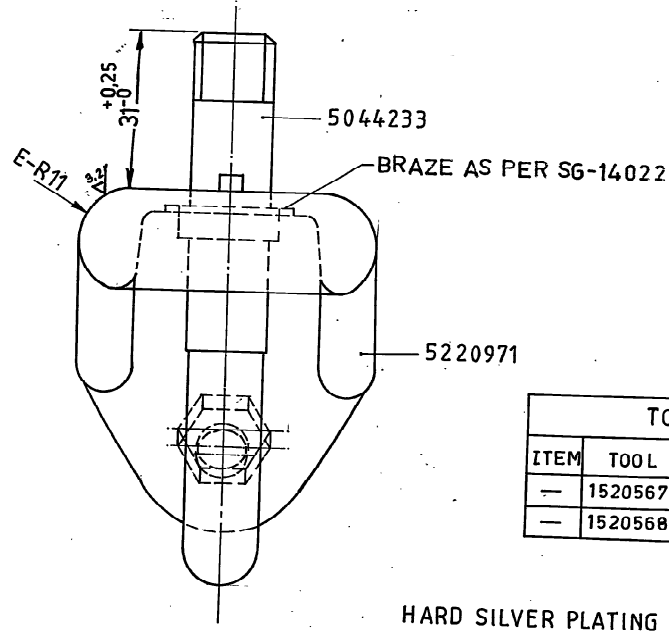
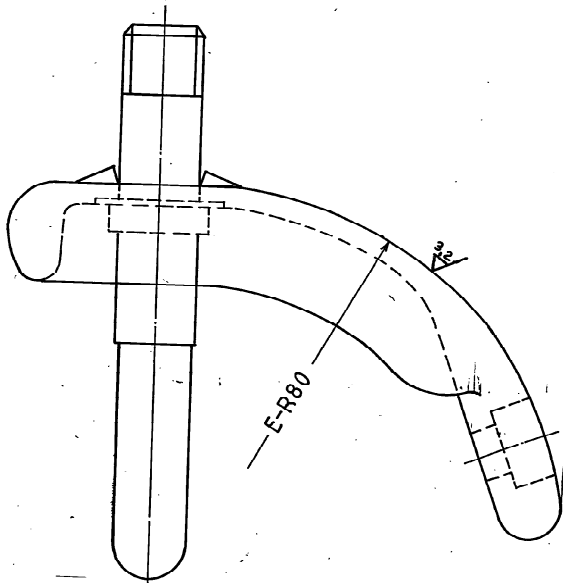


DRG. NO. 501 57 04

THE INFORMATION ON THIS DOCUMENT IS THE PROPERTY OF BHARAT HEAVY ELECTRICALS LIMITED. IT MUST NOT BE USED DIRECTLY OR INDIRECTLY IN ANY WAY DETRIMENTAL TO THE INTEREST OF THE COMPANY.
 INVENTORY NO. 5015704 5015704 5015704
 SIGN. & DATE
 REF. DRG. NO. 5015704 5015704 5015704



TOOL LIST		
ITEM	TOOL	DESCRIPTION
—	1520567	PRESSING TOOL
—	1520568	BRAZING FIXTURE

MATCH SMOOTHLY
E-R TO E-R

HARD SILVER PLATING 10-15 μm (150-180 HV)
(REFER SG-15003)
SURFACE AREA - 358 cm²

SERIES-D

✓ (3/2)

VAR. 00	REMARKS	VAR. NO.	ITEM NO.	DESCRIPTION	STD.	DRAWING NO.	IT. NO.	MATL. CODE	UNIT	UNIT WT.	QTY.

ADDITIONAL INFORMATION

STATUS OF DRAWING

DISTRIBUTION OF PRINTS	
SWE	1
SWM	3
TCX	1

REV.	DATE	ALTERED	08737
06	8.12.97	CHECKED	APPROVED

DRAWING REDRAWN.
DIM. 31 ± 0.25 ADDED.

ON LOAD TAP CHANGER
 TYPE OF PRODUCT OR NAME OF CUSTOMER/PROJECT

नाम / NAME	हस्ता / SIGN.	दि. / DATE	वेरि की संख्या NO. OF VAR.
वनाया DRN. VK/IJS	—	4.1.77	—
जांचा C.K.O. BSR	—	23.1.77	—
स्वीकृत APFB. BSS	—	27.1.77	—

विभाग DEPT. SWE	अन. टोल. नाप की श्रेणी UNTOL. DIMS. GR. MEDIUM	कोड 409 AA 023 02 08	अनुपात SCALE 1:1	भार (कि.ग्रा.) WEIGHT (K.G.)	असे. ड्राइंग का संदर्भ REF. TO ASSY. DRG.	मद क्र. ITEM NO.	मद संख्या NO. OF ITEM
भारत हेवी इलेक्ट्रिकल्स लिमिटेड भोपाल BHARAT HEAVY ELECTRICALS LTD. BHOPAL							

शीर्षक / TITLE
REVERSING SWITCH & COARSE SELECTOR CONTACT SUB ASSY

ड्राइंग क्र. / DRAWING NO.
501 57 04
 पुन. / REV. **06**
 पृष्ठ क्र. / SHT. No. 01 पृष्ठों की सं. / NO. OF SHT. 01