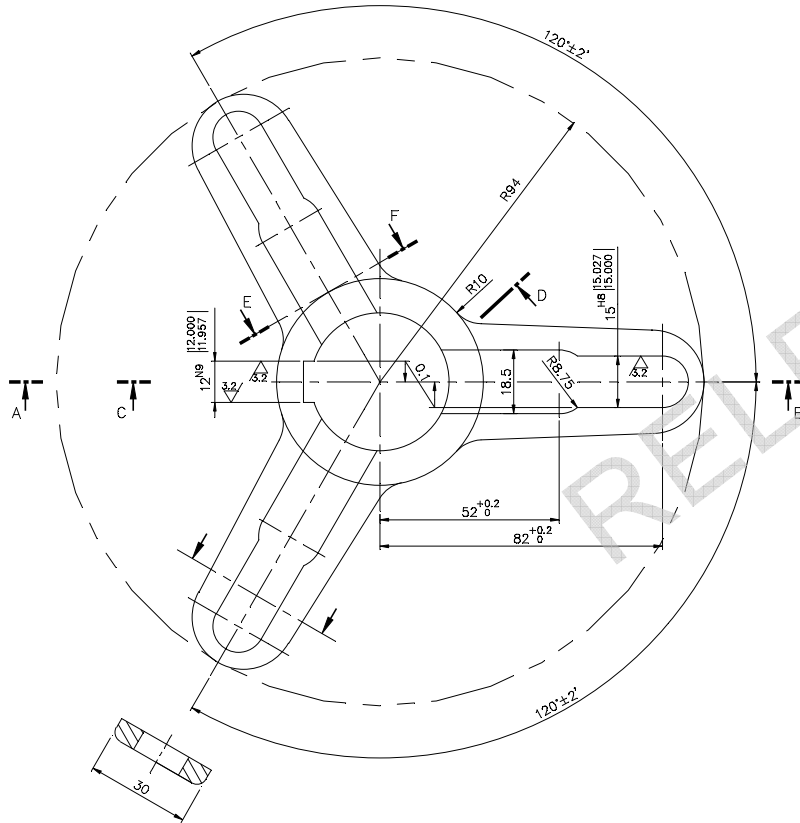
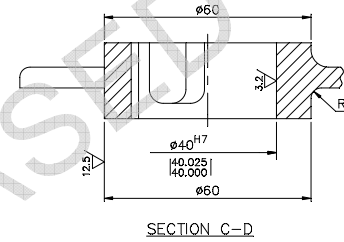
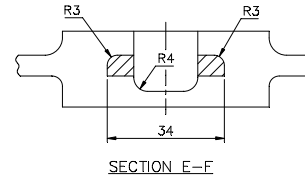
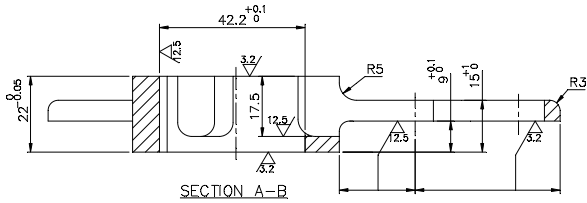


FIRST ANGLE PROJECTION

< ALL DIMENSIONS ARE IN mm. >

INVENTORY NO. 5046957-R11-S01
SIGN & DATE 15/04/2013
REF. DESK NO.

TOOL LIST		
ITEM	TOOL NO.	DESCRIPTION
-	1520217	TURNING FIXTURE
-	1520218	CNC HOLDING FIXTURE
-	1520219	BROACHING FIXTURE
-	1520211	KEYWAY BROACH 12N9
-	1520220	KEYWAY CHECKING GAUGE WITH REF. TO 15H8 SLOT
-	1520221	GRINDING FIXTURE



- LIQUID NITRIDING/TUFFTRIDING-TF2 TO ACHIEVE SURFACE HARDNESS HV 500-600 AS PER SG-15000.

CASTING PART NO. 5251190		001	1.5% MANGANESE STEEL CASTING	AA 19521		0.43	001		
VAR00	REMARKS	VAR. NO.	ITEM NO.	DESCRIPTION	DRAWING NO.	UNIT WT.	QTY.	ZONE	

ADDITIONAL INFORMATION				TYPE OF PRODUCT OR NAME OF CUSTOMER / PROJECT									
STATUS OF DRAWING				ON LOAD TAPCHANGER									
DISTRIBUTION OF PRINTS				BHARAT HEAVY ELECTRICALS LTD. BHOPAL									
SWE	SWM	TCX		DRN.	NAME	SIGN	DATE	NO. OF					
1	3	1		CKD.	V.KUMAR	Sd/-	15.12.76	VAR					
				APPD.	B.S.S.	Sd/-	17.12.76						
REV.	DATE	ALTERED	AKU	DEPT	SWE	UNTOOL.	DIMS.	GR.	SCALE	WEIGHT	REF. TO ASSY. DRG.	ITEM	NO. OF
12	18.09.08	CHECKED	KIRITI	409	M	AA 023020B	1:1	-	5L12899,900	5L17020	5L17020	12	
DRG. REDRAWN				TITLE				DRAWING NO.		REV			
(D.C.A NO. 21887)				DRIVE STAR				5046957		12			
				SHEET NO.01				NO. OF SHEETS 01					

PRADEEP-CADZONE