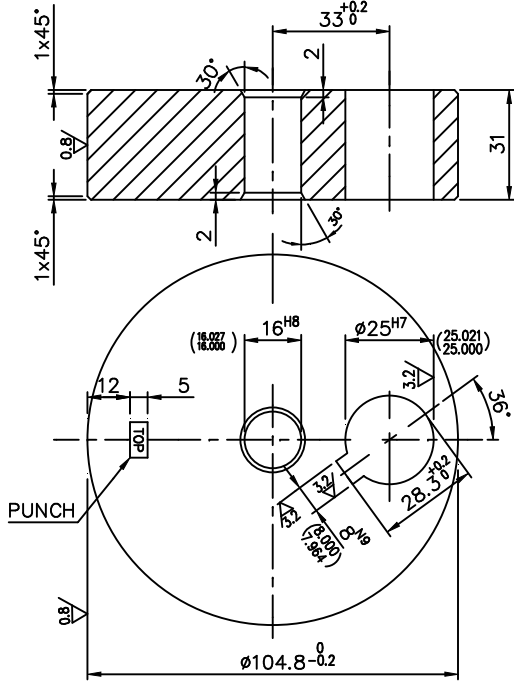


THE INFORMATION ON THIS DOCUMENT IS THE PROPERTY OF BHARAT HEAVY ELECTRICALS LIMITED IT MUST NOT BE USED DIRECTLY OR INDIRECTLY IN ANY WAY DETRIMENTAL TO THE INTEREST OF THE COMPANY

FIRST ANGLE PROJECTION

(ALL DIMENSIONS ARE IN mm)

REV. 11	DATE 22.06.15	ALTERED CHECKED APPROVED VD KS SKP	REV. 10	DATE 10.10.14	ALTERED CHECKED APPROVED VD KS SKP	ADDITIONAL INFORMATION	
TOOL NO.1521001 ADDED.			QUALITY NOTE ADDED.				STATUS OF DRAWING B
(DCA NO. 33171)			(DCA NO. 32754)			DISTRIBUTION OF PRINTS	SWE 1 SWM 3 TCX 1



TOOL LIST		
ITEM	TOOL	DESCRIPTION
-	1463167	MANDREL
-	1463168	DRILL JIG Ø25 H7 WITH LOCATION FROM Ø16 H8
-	1463169	SLOTING FIXTURE
-	1464008	CHECKING FIXTURE 8N9 KEY WAY AT 36°
-	1520183	REAMER Ø25 H7
-	1520213	KEY WAY BROACH 8N9x38
-	1520343	BROACHING FIXTURE
-	1520346	BROACHING ADOPTER PLATE
-	1521001	CHECKING FIXTURE

FOR MANUFACTURING TESTING AND ACCEPTANCE.  
REF.QAP NO.  
SCR/OLTC/QAP/5047449

APPLY TRP CASTROL RUSTILO 630/HP-RUSTOP 285 FOR STORAGE.

12.5 (0.8/3.2)

65	REMARKS	75	001	110 DIA.x31LG. MED. CRBN. STL. BAR	58	59	34	AA1020213892	45	55	56	58	1.930	65
46	MATL. SPCN.	54			58	59	34	AA10213	45	55	56	58	001	65
					58	59	34	MATL. CODE	45	55	56	58	UNIT WT.	65
					58	59	34	MATL. SPCN.	45	55	56	58	QTY.	71

28	CARD TYPE-3	28	CARD TYPE-1	28	CARD TYPE-2
<p>भारत हेवी इलेक्ट्रिकल्स लिमिटेड BHO PAL BHARAT HEAVY ELECTRICALS LTD. BHOPAL</p>					
नाम	हस्ताक्षर	दिनांक	वे. र. की संख्या		
कार्या DRN SDW	Sd/-	13.12.76			
कार्या OKD BSR	Sd/-	15.12.76			
अनुमोदित अप्रो BSS	Sd/-	16.12.76			

विभाग DEPT SWE	उप. टोल. नाम की श्रेणी UNTOLO.DIMS. GR. M AA 0230208	अनुपात SCALE 1:0.75	भार. कि.ग्रा. WEIGHT (K.G.)	असेम्बली का संदर्भ REF. TO ASSY. DRG. 5009992	सद. क्र. ITEM NO.	सद. संख्या NOL. OF ITEM 001
कोड CODE 409	शीट/क/TITLE ECCENTRIC (ON LOAD TAP CHANGER)			ड्राइंग नं./DRAWING NO. 5047449	पृष्ठ/REV. 11	
				पृष्ठ क्र./SHT. No. 01	पृष्ठों की संख्या/NO. OF SHT. 01	

5047449-R07-S01 REF. DRG. NO.

SIGN. & DATE

INVENTORY NO.