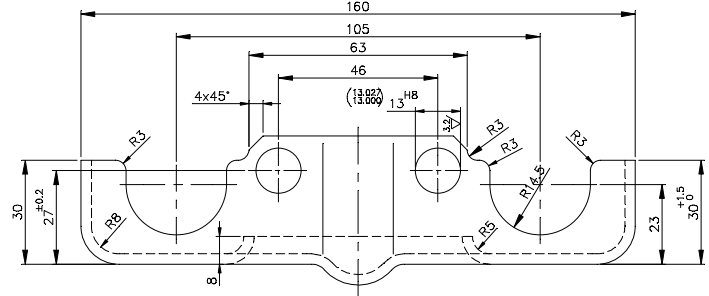
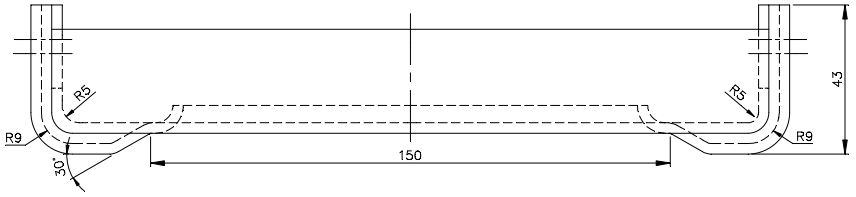
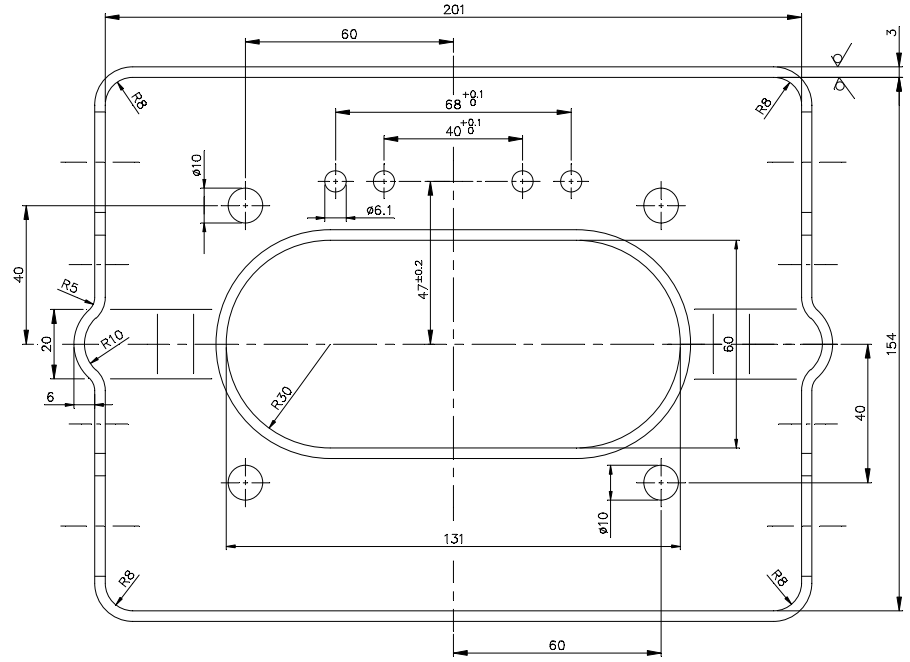


DRAWING NO. 5047797



TOOL LIST		
ITEM	TOOL NO.	DESCRIPTION
-	1520876	CNC HOLDING FIXTURE FOR DRILLING HOLE $\phi 13H8$
-	1520877	CHECKING GAUGE



ROLLING DIRECTION

APPLY TRP CASTROL-RUSTILO 630/HP-RUSTOP 285 FOR STORAGE.

$\sqrt{3.2}$ $\sqrt{12.5}$

VAR00	REMARKS	001	3 TK.X269X208 LG. C.R. CRBN STL.SHT.	BP1011715996	0.865
78	79	25	27	AA 10115	001
59	64	65	77	78	79
80	81	82	83	84	85
86	87	88	89	90	91
92	93	94	95	96	97
98	99	100	101	102	103

ADDITIONAL INFORMATION			TYPE OF PRODUCT OR NAME OF CUSTOMER / PROJECT				
STATUS OF DRAWING			ON LOAD TAPCHANGER				
DISTRIBUTION OF PRINTS			BHARAT HEAVY ELECTRICALS LTD. BHOPAL				
SWE	SWM	TCX	DRN	NAME	SIGN	DATE	NO. OF VAR
1	3	1	APPD.	V.KUMAR	Sd/-	14.12.76	
				B.S.R.	Sd/-	18.12.76	
				B.S.S.	Sd/-	18.12.76	

REV.	DATE	ALTERED	REV.	DATE	ALTERED	REV.	DATE	ALTERED	REV.	DATE	ALTERED	REV.	DATE	ALTERED	DEPT	UNTL.	DIMS.	GR.	SCALE	WEIGHT	REF. TO ASSY.	DRG.	ITEM	NO. OF
		CHECKED			CHECKED			CHECKED			CHECKED			CHECKED	SWE	M			1:1	(K.G.)	5010288			
		APPROVED			APPROVED			APPROVED			APPROVED			409	AA	0230208				-	5010288			
ZONE			ZONE			ZONE			ZONE			ZONE									5047797			

COCKING SLIDE

5047797

SHEET NO.01 ND. OF SHEETS 01

INVENTORY NO. SIGN & DATE 5047797-R04-501 REF. DRG. NO.

A B C D E F A2