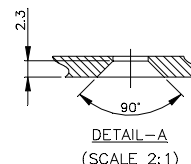
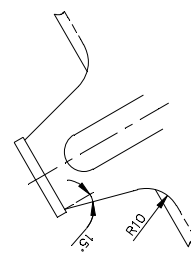
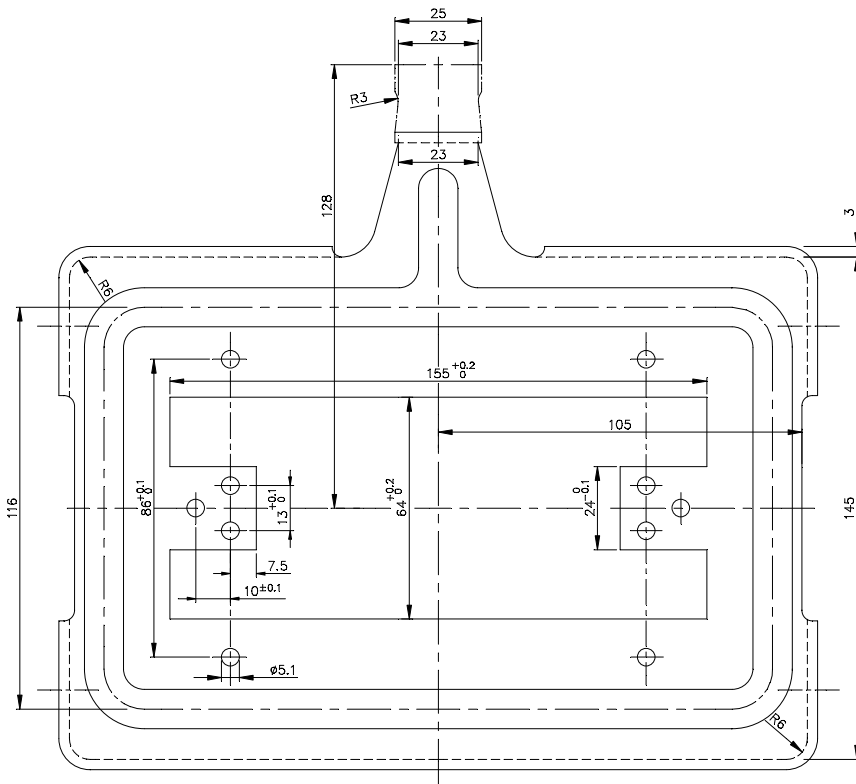
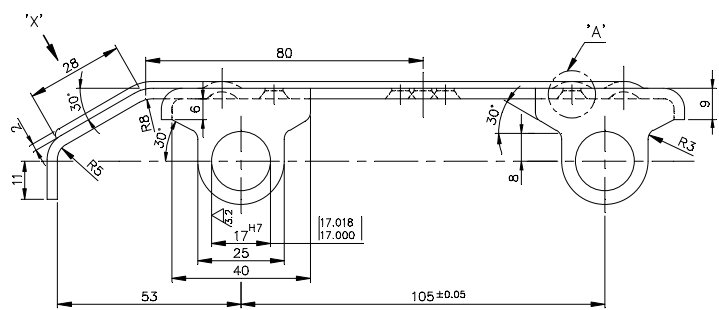
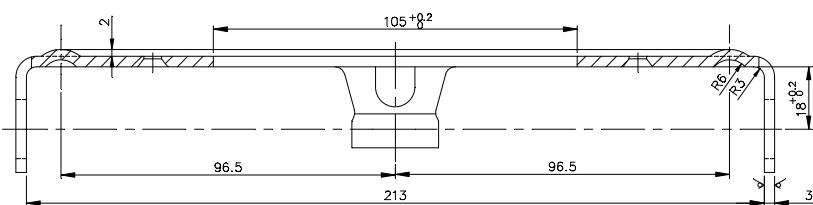


5047825-001
5047825-001



VIEW IN DIRECTION-X

DETAIL-A
(SCALE 2:1)

TOOL LIST		
ITEM	TOOL NO.	DESCRIPTION
-	1520878	CNC HOLDING FIXTURE FOR DRILLING HOLE Ø17H7
-	1520879	CHECKING GAUGE

APPLY TRP CASTROL-RUSTILO 630/HP RUSTOP 285 FOR STORAGE.

12.5/ (3.2/0.05)

59	64	65	75	78	79	25	27	29	58	59	60	77	78	31	34	43	55	56	58	65	72	
VAR00	REMARKS	VAR NO.	ITEM NO.	DESCRIPTION	STD	DRAWING NO.	IT.ND.	MATL. CODE	UNIT	WT.	QTY.	ZONE	BP1011715996	AA 10115	0.635	001						

ADDITIONAL INFORMATION												TYPE OF PRODUCT OR NAME OF CUSTOMER / PROJECT											
STATUS OF DRAWING												ON LOAD TAPCHANGER											
DISTRIBUTION OF PRINTS												Bharat Heavy Electricals Ltd. Bhopal											
SWE			SWM			TCX			DRN			NAME			SIGN			DATE			NO. OF		
1			3			1			APPD.			B.S.S.			Sd/-			14.12.76			VAR		
REV. DATE ALTERED												REF. TO ASSY. DRG.											
06 20.10.11 CHECKED KS APPROVED SKP												5010289											
05 8.06.09 ALTERED AKU CHECKED SKP APPROVED SK												DRAWING NO. 5047825											
ZONE DIM. 268 WAS 274 & SURFACE SYMBOL ADDED. (D.C.A NO. 30732)												REV 06											
05 8.06.09 DRG. REDRAWN IN DETAIL -A, CS'K ANGLE 90° WAS 75° (D.C.A NO. 21906)												SHEET NO.01 ND. OF SHEETS 01											

THE INFORMATION ON THIS DOCUMENT IS THE PROPERTY OF BHARAT HEAVY ELECTRICALS LIMITED. IT MUST NOT BE USED DIRECTLY OR INDIRECTLY IN ANY WAY DETRIMENTAL TO THE INTEREST OF THE COMPANY.

INVENTORY NO. SIGN & DATE 5047825-004-501 REF. DRG. NO.