

FIRST ANGLE PROJECTION

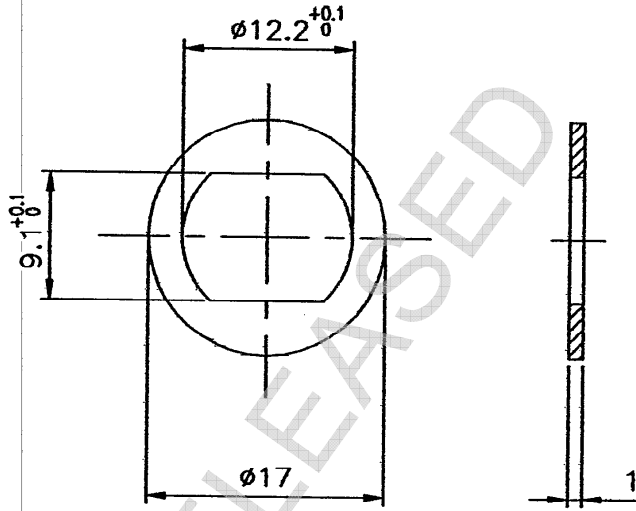
(ALL DIMENSIONS ARE IN mm)

THE INFORMATION ON THIS DOCUMENT IS THE PROPERTY OF BHARAT HEAVY ELECTRICALS LIMITED. IT MUST NOT BE USED DIRECTLY OR INDIRECTLY IN ANY WAY DETRIMENTAL TO THE INTEREST OF THE COMPANY.

TAPCHANGER-5048053
REF. DRG. NO.

REV.	DATE	ALTERED	REV.	DATE	ALTERED	ADDITIONAL INFORMATION	
		CHECKED	02	05/01	CHECKED		
		APPROVED			APPROVED		
			DRAWING REDRAWN.			STATUS OF DRAWING	
			(DCA NO. - 10598)			B	
			DISTRIBUTION OF PRINTS		SWE	SWM	TCX
			1		1	3	1

TOOL LIST		
ITEM	TOOL	DESCRIPTION
-	1463172	PIERCING & BLANKING TOOL



65	REMARKS	001	1-TK.x17 DIA. COPPER STRIP H.H.	58	59	34	45	55	56	58	65
		ITEM NO.	DESCRIPTION	STD			MATL. CODE	A	UNIT	UNIT WT.	
							MATL. SPCN.	C		QTY.	
									Kg.	0.001	
							BP12089			001	

SIGN. & DATE	28 → CARD TYPE-3		28 → CARD TYPE-1		28 → CARD TYPE-2			
			भारत हेवी इलेक्ट्रिकल्स लिमिटेड भोपाल BHARAT HEAVY ELECTRICALS LTD. BHOPAL		नाम जम Sd/- 14.12.76	दिनांक 14.12.76	वे. सं. की संख्या नं. OF VAR.	
INVENTORY NO.	विभाग DEPT SWE कोड 409	अन. टा. ना. की श्रेणी UNTO. DIMS. GR. M AA 0230208		अनुपात SCALE 2:1	भार WEIGHT (KGS) -	उद्देश्य का संदर्भ REF. TO ASSY. DRG. 5L12018	मद नं. ITEM NO.	मद संख्या NO. OF ITEM 001
	शीर्षक/ TITLE WASHER					उद्देश्य का संदर्भ/ DRAWING NO. 5048053		पुन./REV. 02
FILE NAME:- KANSARA-					पृष्ठ नं./श. नं. 01 पृष्ठों की संख्या/NO. OF SH. 01			