

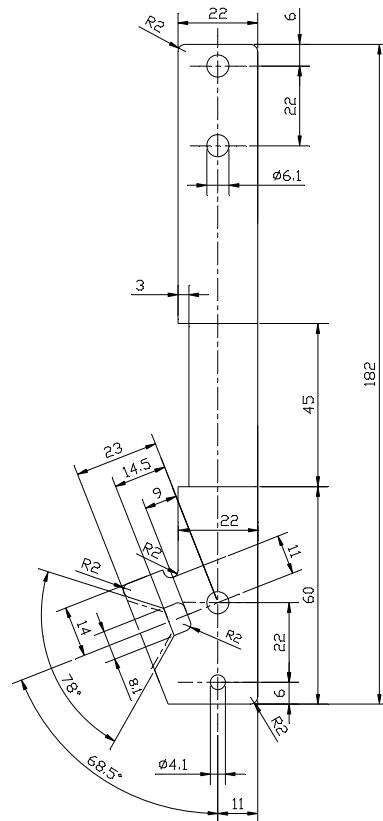
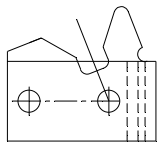
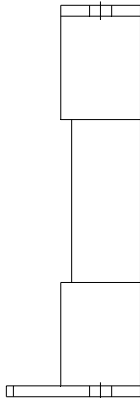
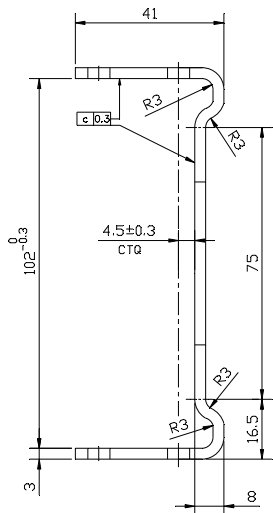
THE INFORMATION ON THIS DOCUMENT IS THE PROPERTY OF BHARAT HEAVY ELECTRICALS LIMITED. IT MUST NOT BE USED DIRECTLY OR INDIRECTLY IN ANY WAY DETRIMENTAL TO THE INTEREST OF THE COMPANY.

FIRST ANGLE PROJECTION

ALL DIMENSIONS ARE IN mm

5049015

DRG. NO.



TOOL LIST		
ITEM	TOOL NO.	DESCRIPTION
-	1463706	PIERCING & BLANKING TOOL
-	1463707	BENDING TOOL

ACCEPTANCE CRITERIA-
-VISUAL CHECK DEFECT FREE MATERIAL
-BENDING TEST.

NOTE-
1) MATERIAL SHOULD BE FREE FROM TOOL MARKS, SCRATCHES & BURRS.
2) MATERIAL SHOULD BE BUFFED & POLISHED.
3) ZINC PLATED & PASSIVATED (<0.013 TK) AS PER AA06736034 & AA0673604

--- SURFACE TO BE CLEANED

VAR 00	REMARKS	VAR NO.	ITEM NO	DESCRIPTION	PLT	DRAWING NO.	IT-NO	MATL. CODE	A	UNIT	UNIT WT.	QTY.	U.S.	ZONE
			001	3TKx38x182 LG. C R C STEEL SHEET	2						0.100	001		

ADDITIONAL INFORMATION

STATUS OF DRAWING

DISTRIBUTION OF PRINTS

SWE	SWM	TCX
1	3	1

उत्पाद का प्रकार वा मूल्य/परियोजना का नाम
TYPE OF PRODUCT OR NAME OF CUSTOMER/PROJECT

ON LOAD TAP CHANGER		नाम/NAME	हस्ता/./I.J.S.	दिनांक/DATE	विव. सं. संख्या
भारत हेवी इलेक्ट्रिकल्स लिमिटेड		B.S.R.	Sd/-	31-12-76	NO. OF
BHARAT HEAVY ELECTRICALS LTD. BHOPAL		B.S.S.	Sd/-	18-01-77	VAR.
		B.S.S.	Sd/-	02-01-77	

डिप्ट. SWE
UNTL. DIMS. GR.
कोड 409
CIDE
AA0230208

उत्पाद भार (कि.ग्रा.)
SCALE 1:1
भार (कि.ग्रा.)
WEIGHT (KGS.)
उत्प. सं. संख्या
REF. TO ASSY. DRG.
सद. सं. संख्या
ITEM NO.

ड्राइंग/टITLE
SWITCHING BOW

REV. DATE	ALTERED	V/D	REV. DATE	ALTERED	AKU	REV. DATE	ALTERED	AKU	REV. DATE	ALTERED	AKU
05/24.03.12	CHECKED	KS	04/06.04.04	CHECKED	SKP	03/23.10.03	CHECKED	SKP	02/09.11.2K	CHECKED	SKP
	APPROVED	SKP		APPROVED	SK		APPROVED	SK		APPROVED	SK
SYMBOL FOR FLATNESS & DIM. 102 -0.3 ADDED. DIM. 108 DELETED. (D.C.A. NO-30983)			NOTE ADDED. (D.C.A. NO-20115)			ACCEPTANCE CRITERIA ADDED. (D.C.A. NO-12662)			DRG. REDRAWN. MAT. CODE BP1011715996 ADDED. (D.C.A. NO-10271)		

ड्राइंग सं. संख्या
5049015
पृष्ठ सं./SHT. NO.01
पृष्ठों की संख्या/NO. OF SHT.01

INVENTORY NO. 5049015-R01-501 REF. DRG. NO.