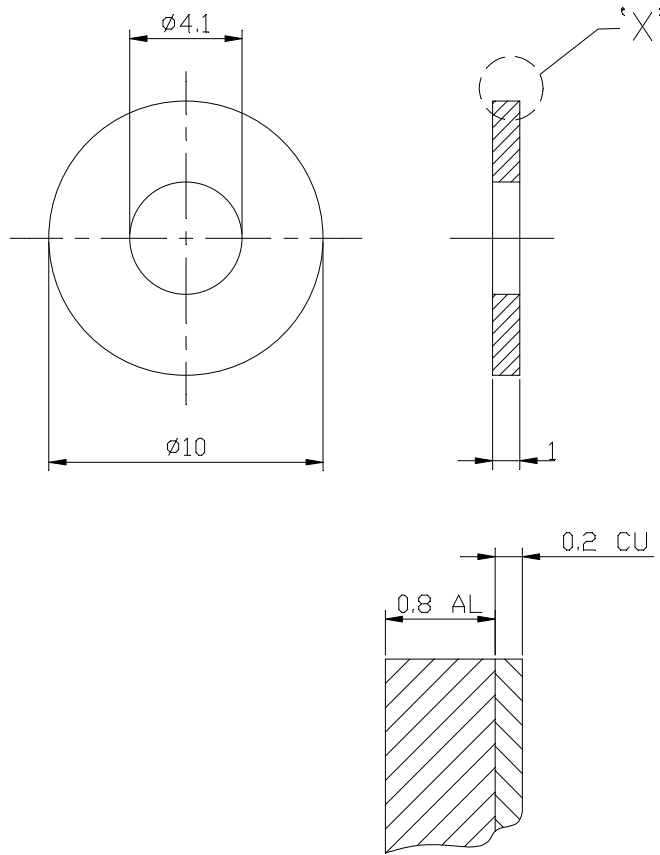


THE INFORMATION ON THIS DOCUMENT IS THE PROPERTY OF BHARAT HEAVY ELECTRICALS LIMITED. IT MUST NOT BE USED DIRECTLY OR INDIRECTLY IN ANY WAY DETRIMENTAL TO THE INTEREST OF THE COMPANY.

| | | | | | | | | | |
|------|------|----------|---|----------|---------|------------------------|-----|-----|-----|
| REV. | DATE | ALTERED | REV. | DATE | ALTERED | ADDITIONAL INFORMATION | | | |
| | | CHECKED | 02 | 17.10.01 | AKU | STATUS OF DRAWING | | | |
| | | APPROVED | | | SKP | | | | |
| | | | | | SK | | | | |
| | | | DRG. REDRAWN. DETAIL-X ADDED. (DCA NO.- 11074) | | | DISTRIBUTION OF PRINTS | □/C | SWM | TCX |
| | | | | | | | 1 | 3 | 1 |



DETAIL 'X'

SCALE 5:1



5051463-R01-S01
REF. DRG. No. SCALE - 4:1
SIGN & DATE
INVENTORY No.

| | | | | | | | |
|---------|----------|---|------|------------|--------|-------|--------|
| REMARKS | ITEM NO. | DESCRIPTION | STD. | MATL. CODE | A C | UNITS | QTY. |
| | | 1TK.x10 DIA COPPER AL. BIMETALLIC SHT. | | SG 10026 | | KG. | 0.0003 |
| | | | | | | | 001 |

| | | | | | | | | |
|--------------|-----------------|--|-----------------|--------------|--------------------|------|----------|-------------|
| | | BHATAT HEAVY ELECTRICALS LIMITED BHOPAL | | DRN | S.D.W. | Sd/- | 21.09.77 | NO.OF VAR |
| | | | | CHD | B.S.R. | Sd/- | 07.10.77 | |
| | | | | APPD | T.K.G. | Sd/- | 11.10.77 | |
| DEPT. SWE | UN. TOL.DIM.GR. | | SCALE | WEIGHT (Kg.) | REF. TO ASSY. DRG. | | ITEM NO. | NO.OF ITEMS |
| CODE 409 | M AA 0230208 | | NTS | - | 5014478 | | - | 001 |
| TITLE | | | | DRAWING No. | | | | REV. |
| WASHER | | | | 5051463 | | | | 02 |
| SHEET NO. 01 | | | NO.OF SHEETS 01 | | | | | |