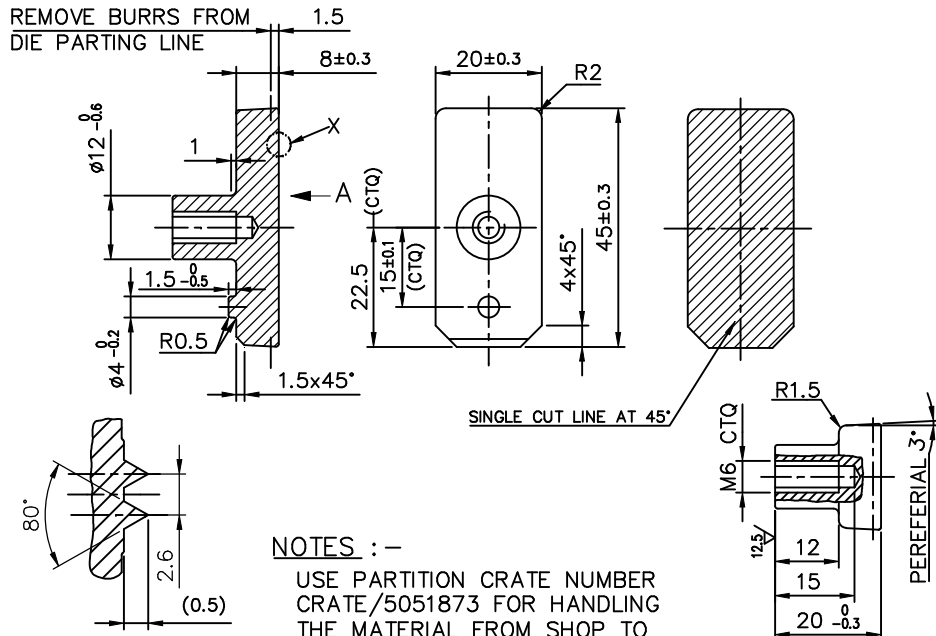


THE INFORMATION ON THIS DOCUMENT IS THE PROPERTY OF BHARAT HEAVY ELECTRICALS LIMITED. IT MUST NOT BE USED DIRECTLY OR INDIRECTLY IN ANY WAY DETRIMENTAL TO THE INTEREST OF THE COMPANY.

REV.	DATE	ALTERED VD	REV.	DATE	ALTERED VD	ADDITIONAL INFORMATION
10	11.04.15	CHECKED P.JAGDISH	09	02.12.11	CHECKED KS	
		APPROVED SKP			APPROVED SKP	
SINGLE CUT LINE ON COMPLETE CONTACT SURFACE(FRONT). (DCA NO.-33016)			DETAIL-X MODIFIED. (DCA NO.-30768)			STATUS OF DRAWING B
						DISTRIBUTION OF PRINTS
						SWE 1
						SWM 3
						TCX 1



**NOTES :-**

- USE PARTITION CRATE NUMBER CRATE/5051873 FOR HANDLING THE MATERIAL FROM SHOP TO SHOP TO AVOID DENTS & PITTING ON THE CONTACT.
- BARREL FINISHED AT LEAST 0.5 WASHED AND PASSIVATED
- HARDNESS HV - 60±10
- ELEC. CONDUCTIVITY - 95% MIN.
- RADIUS NOT SHOWN = R1

DETAIL-X  
(SCALE-5:1)

✓ (12.5)

5051873-R07-S01  
REF. DRG. No. 1:1

PRESSING/FORGING PART NO. 5210071	001	HOT COPPER PRESSING			0.075
			BP19897	KG.	001
REMARKS	ITEM NO.	DESCRIPTION	STD.	MATL. CODE	UNIT WT.
				MATL. SPECN	QTY.

SIGN & DATE  
INVENTORY No.



BHARAT HEAVY ELECTRICALS LIMITED  
BHOPAL

NAME	SIGN.	DATE	NO. OF
DRN V. KUMAR	Sd/-	03.03.77	VAR
CHD B.S. RAJPUT	Sd/-	07.03.77	
APPD B.S. SAINI	Sd/-	17.03.77	

DEPT. SWE	UN. TOL. DIM. GR.	SCALE	WEIGHT (Kg.)	REF. TO ASSY. DRG.	ITEM NO.	NO. OF ITEMS
CODE 409	M AA 0230208	1:1	-	5012892	-	001

TITLE	DRAWING No.	REV.
CONTACT MIII350/MI351	5051873	10
SHEET NO. 01	NO. OF SHEETS	01