

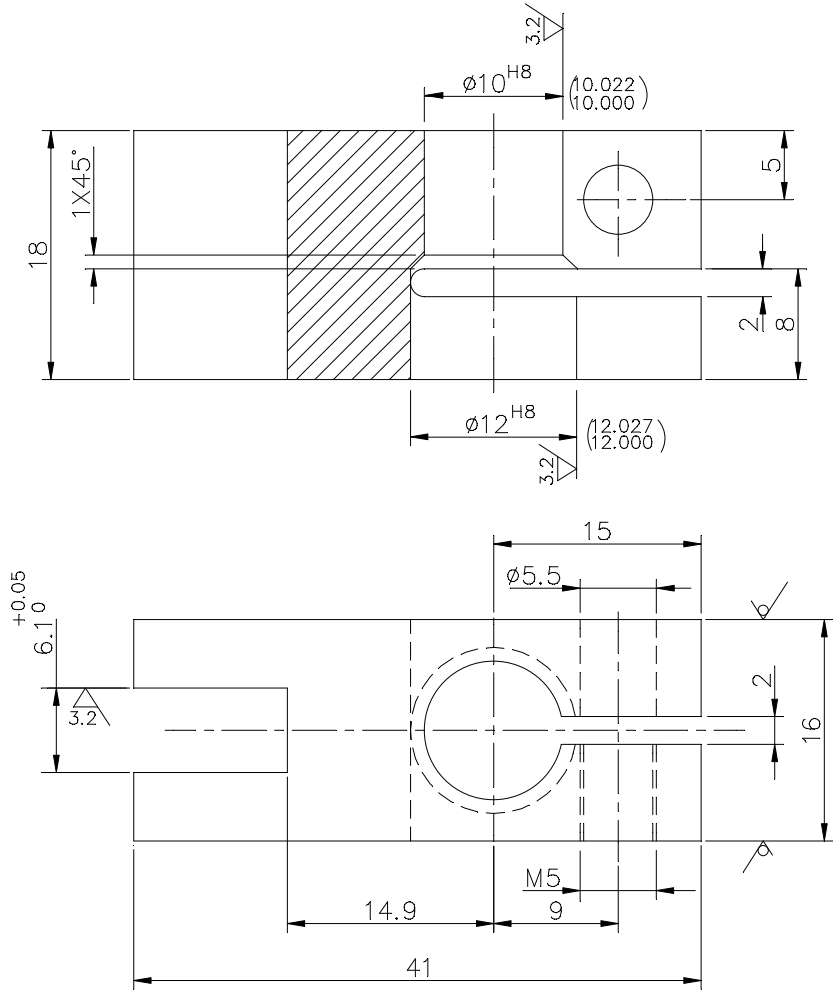
FIRST ANGLE PROJECTION

(ALL DIMENSIONS ARE IN mm)

THE INFORMATION ON THIS DOCUMENT IS THE PROPERTY OF BHARAT HEAVY ELECTRICALS LIMITED IT MUST NOT BE USED DIRECTLY OR INDIRECTLY IN ANY WAY DETRIMENTAL TO THE INTEREST OF THE COMPANY

REV.	DATE	ALTERED	REV.	DATE	ALTERED	AKU	ADDITIONAL INFORMATION	
		CHECKED	06	20.07.05	CHECKED	SKP		
		APPROVED			APPROVED	S.K.		
DRG. REDRAWN.					STATUS OF DRAWING			
(D.C.A. NO. 23502)					DISTRIBUTION OF PRINTS	SWE	SWM	TCX
						1	3	1

TOOL LIST	DESCRIPTION
ITEM	TOOL
-	1463468 DRILL JIG WITH REAMER BUSH



APPLY TRP CASTROL-RUSTILO 630/HP-RUSTOP 285 FOR STORAGE. 12.5/ (✓ 3.2/)

65	75	25	27	29	58	59	34	45	55	56	58	65
REMARKS	ITEM NO.	DESCRIPTION				STD	MATL. CODE	A	UNIT	UNIT WT.	QTY.	
	001	16x20x41 LG. BRIGHT STL. BAR					BP 1010312138		KG.	0.065		
							AA 10112			001		
							MATL. SPON.	C				71

28 → CARD TYPE-3 28 → CARD TYPE-1 28 → CARD TYPE-2

	भारत हेवी इलेक्ट्रिकल्स लिमिटेड भोपाल		नाम NAME	हस्ताक्षर SIGN	दिनांक DATE	वे. र. की संख्या NO. OF VAR.	
	BHARAT HEAVY ELECTRICALS LTD. BHOPAL		किया DRN	PVS	Sd/-	05.01.77	
			किया CKD	BSR	Sd/-	08.01.77	
			अनुमोदित APPD	TKG	Sd/-	09.01.77	

विभाग DEPT	SWE	अन. टोल. नाप की श्रेणी UNTOL.DIMS. GR.	अनुपात SCALE	भार. कि.ग्रा. WEIGHT (K.G.)	असे.ड्राईंग का संदर्भ REF. TO ASSY. DRG.	मद क्र. ITEM NO.	मद संख्या NO. OF ITEM
कोड CODE	409	M AA 0230208	-	-	5014478	-	001
शीर्षक/ TITLE	DRIVING DOG (ON LOAD TAP CHANGER)				आरेख क्र./DRAWING NO.	पुन./REV.	
					5052431	06	
INVENTORY NO.					पृष्ठ क्र./SHT. No.	01 पृष्ठों की संख्या/NO. OF SHT. 01	