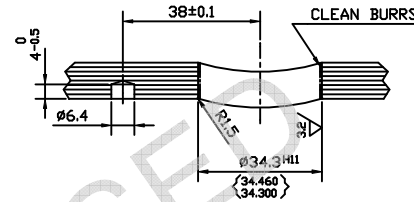
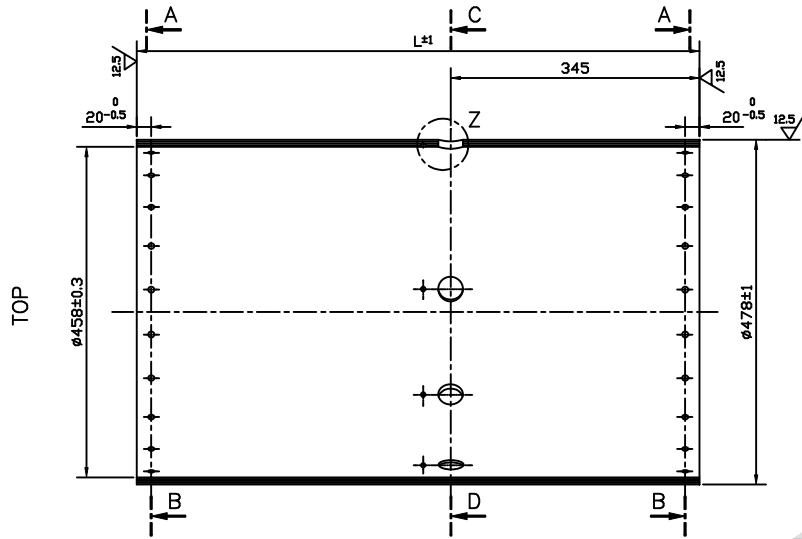


1919979



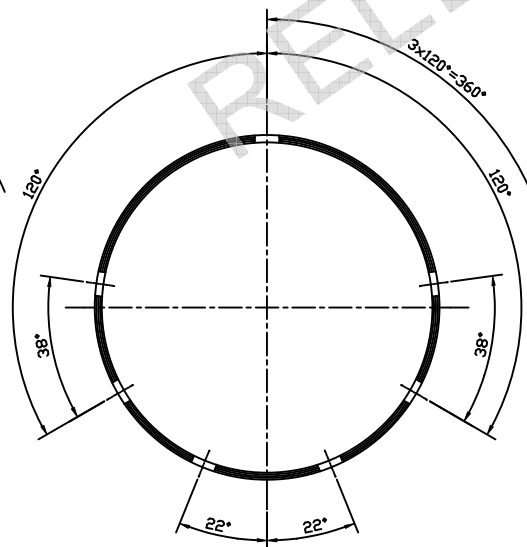
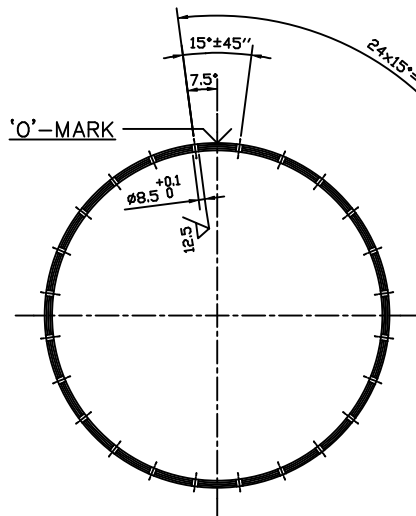
DETAIL 'Z'
(SCALE-1:1)

TOOL LIST		
ITEM	TOOL NO.	DESCRIPTION
-	1463967	WINDING MANDREL AND EXTRACTING PLATE
-	1463968	MARKING OUT TEMPLATE
-	1463969	DRILL JIG
-	1464013	HOLDING FIXTURE
-	1464014	DRILL JIG FOR Ø 6.4 INTERNAL HOLE
-	1520072	SETTING BAR FOR 345 MM DIM.
-	1520113	M. D. TEMPLATE FOR Ø34.3 HOLE
-	1520114	DRILL JIG FOR Ø34.3 HOLE
-	1520398	PIN GAUGE FOR DIMM. 458 ±0.3
-	1520399	PLUG GAUGE FOR DIMM. 34.3 H11

PART NO.	SERIES	DIM. L
5056161	30	780
5056162	60	805
5056163	110	935
5056164	150	1065
5056165	220	1165

SECTION A-B

SECTION C-D



- NOTE :- 1) FOR QUALITY CHECKS AND ACCEPTANCE CRITERIA REFER SG-14020
 2) I/D SHOULD BE SMOOTH FOR SEALING GAS PRESSURE OF 15 PSI AND ENSURE NO OVALITY ON I/D OF CYLINDER OTHERWISE DO MACHING
 3) DIA OF TOP SIDE MUST BE HIGHER THAN BOTTOM SIDE.
 4) ENSURE R1.5 ON HOLE OF Ø34.3 H11.

✓(12.5/3.2)

VAR00	REMARKS	VAR NO.	ITEM NO.	DESCRIPTION	DRAWING NO.	MATL. CODE	MATL. SPECN.	UNIT	QTY.	ZONE
		001		458 I/D x 478 O/D x L LG. GLASS FILAMENT WOUND EPOXY BONDED TUBE		BP22488		001		

ADDITIONAL INFORMATION				TYPE OF PRODUCT OR NAME OF CUSTOMER / PROJECT			
STATUS OF DRAWING: B				ON LOAD TAP CHANGER			
DISTRIBUTION OF PRINTS				Bharat Heavy Electricals Ltd. Bhopal			
D/C	SWM	TCX		DRN. CKD.	NAME P.V.S./I.J.S.	SIGN Sd/-	DATE 07.01.77
1	3	1		APPD.	B.S.S.	Sd/-	27.01.77
REV.	DATE	ALTERED	CHECKED	REV.	DATE	ALTERED	CHECKED
09	12.09.02	A.K.U.	S.K.P.	10	07.10.05	A.K.U.	S.K.P.
ZONE DRG. REDRAWN. (DCA. NO. 24056)				ZONE TITLE: OIL COMPARTMENT (M1802-2 SECTORS)			
ZONE IN DETAIL-Z, R1.5 WAS ROUND SMOOTHLY (DCA. NO. 28475)				ZONE DRAWING NO. 5L56161			
ZONE NOTE 2 MODIFIED. NOTE 4 ADDED. DIM 50±2 DELETED. MACHING ON Ø478±1 ADDED. (DCA. NO.-29754)				ZONE REV. 12			
ZONE NOTE 3 ADDED. NOTE 2 MODIFIED (DCA. NO. 28475)				ZONE SHEET NO. 01			
ZONE				ZONE NO. OF SHEETS 01			

THE INFORMATION ON THIS DOCUMENT IS THE PROPERTY OF BHARAT HEAVY ELECTRICALS LIMITED. IT MUST NOT BE USED DIRECTLY OR INDIRECTLY IN ANY WAY DETRIMENTAL TO THE INTEREST OF THE COMPANY.

INVENTORY NO. SIGN. & DATE REF. DRG. NO. KANSARA_5156161-RO9-501