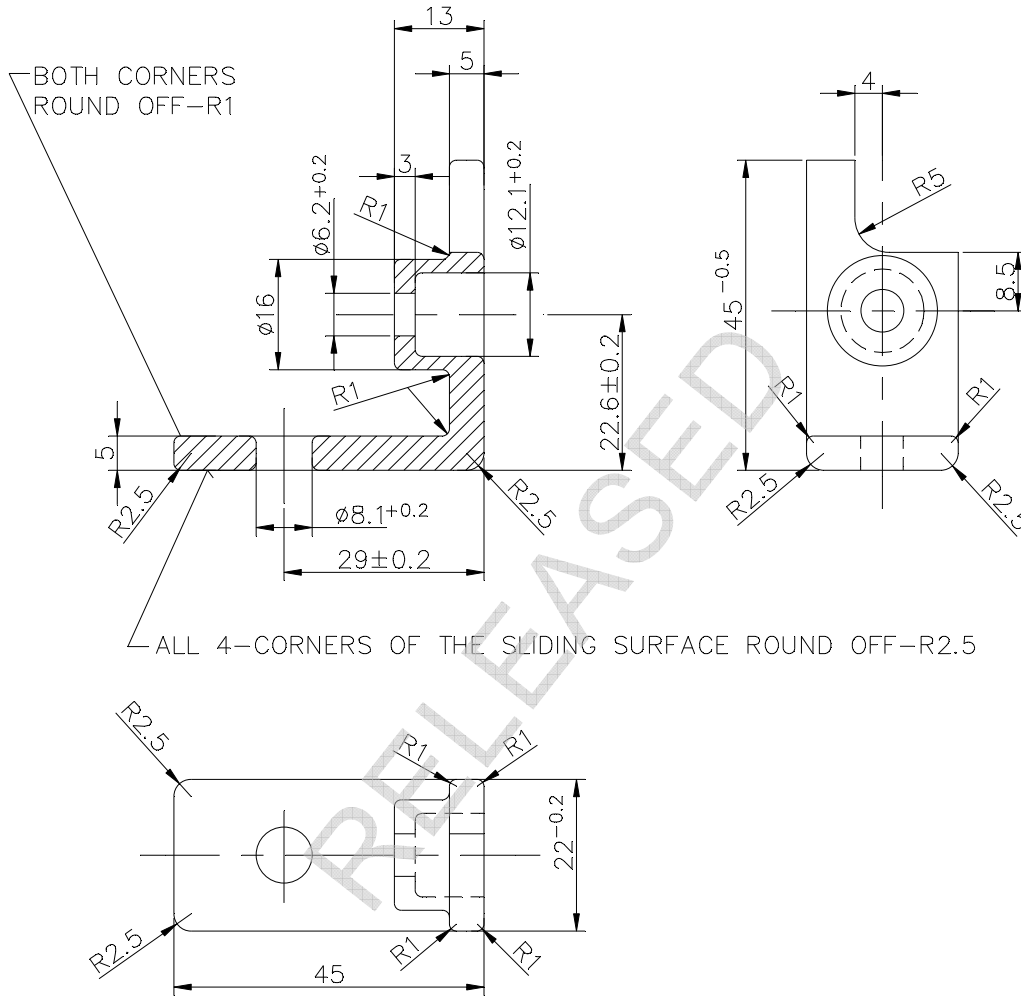



FIRST ANGLE PROJECTION

(ALL DIMENSIONS ARE IN mm)

THE INFORMATION ON THIS DOCUMENT IS THE PROPERTY OF BHARAT HEAVY ELECTRICALS LIMITED IT MUST NOT BE USED DIRECTLY OR INDIRECTLY IN ANY WAY DETRIMENTAL TO THE INTEREST OF THE COMPANY

REV.	DATE	ALTERED	REV.	DATE	ALTERED	ADDITIONAL INFORMATION
		CHECKED	05		CHECKED	
		APPROVED			APPROVED	
			DRG. REDRAWN.			STATUS OF DRAWING
			(D.C.A. NO. 23000)			DISTRIBUTION OF PRINTS
						SWE
						SWM
						TCX
						1
						3
						1



REF. DRG. NO.	001		1.5% Ni-Cr-Mo PRECISION STL. CASTING HEAT-TREATED		BP 19594		KG.	0.070			
	65	7525 2729	58	59 34	45	55 A C		56	58	65	
SIGN. & DATE	REMARKS		DESCRIPTION		MATERIAL CODE		UNIT	UNIT WT.			
	ITEM NO.		MATERIAL SPECIFICATION		MATERIAL SPECIFICATION			QTY.			
INVENTORY NO.	28 → CARD TYPE-3		28 → CARD TYPE-1		28 → CARD TYPE-2						
			भारत हेवी इलेक्ट्रीकल्स लिमिटेड भोपाल BHARAT HEAVY ELECTRICALS LTD. BHOPAL		नाम I.J.S.		दिनांक 29.03.78		वे. र. की संख्या NO. OF VAR.		
DEPT SWE	अन. टोल. नाम की श्रेणी		अनुपात		भार कि.ग्रा.		उपे. ड्राईंग का संदर्भ		मद क. मद संख्या		
	UNTOL.DIMS. GR.		SCALE		WEIGHT (K.G.)		REF. TO ASSY. DRG.		ITEM NO. NO. OF ITEM		
कोड 409		M AA 0230208		1:1		-		-		-	
शीट/क/ TITL		SLIDE SHOE		आरेख क./DRAWING NO.		5200035		पुन./REV.		05	
		(ON LOAD TAP CHANGER)		पृष्ठ क./SHT. No.		01		पृष्ठों की संख्या/No. OF SHT.		01	