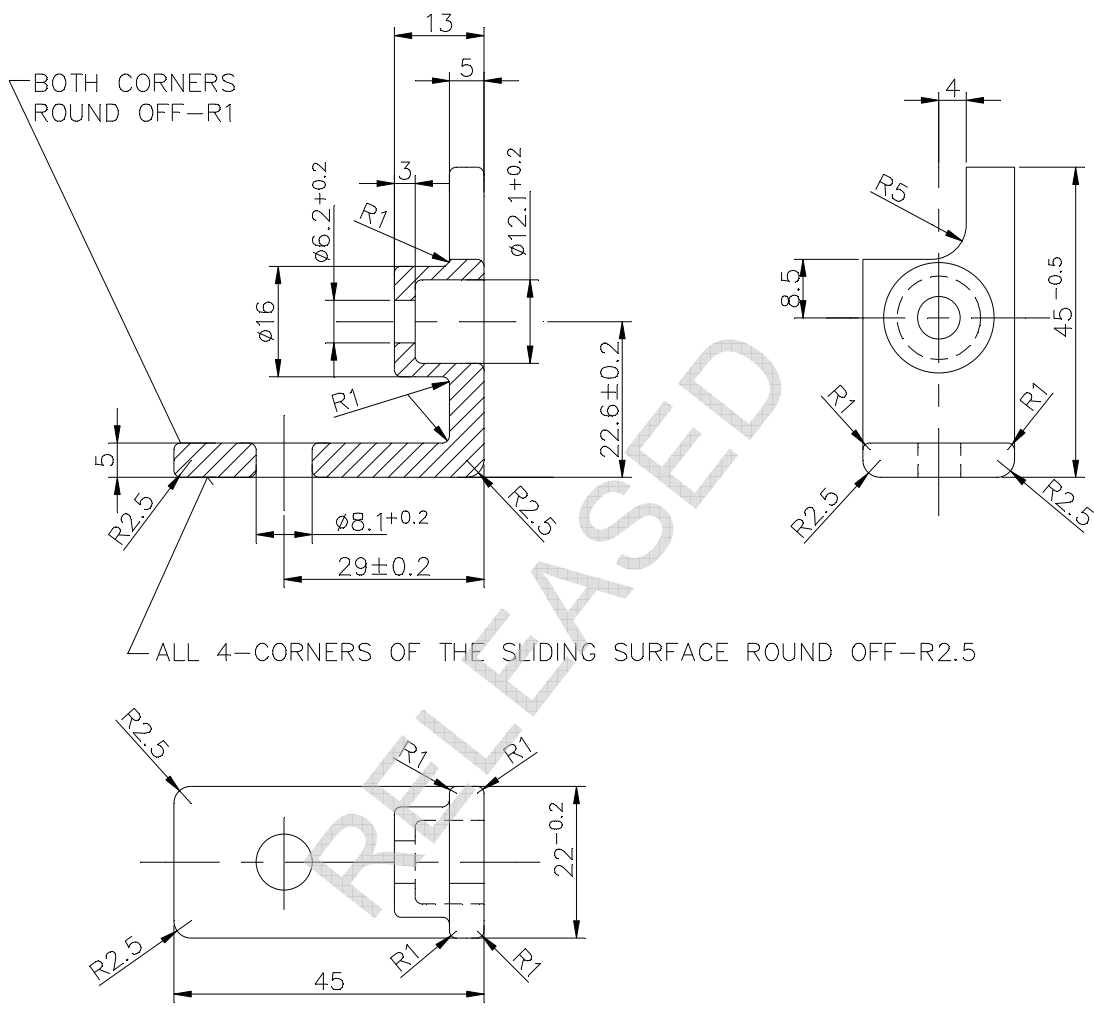



FIRST ANGLE PROJECTION

(ALL DIMENSIONS ARE IN mm)

THE INFORMATION ON THIS DOCUMENT IS THE PROPERTY OF BHARAT HEAVY ELECTRICALS LIMITED IT MUST NOT BE USED DIRECTLY OR INDIRECTLY IN ANY WAY DETRIMENTAL TO THE INTEREST OF THE COMPANY

REV.	DATE	ALTERED	REV.	DATE	ALTERED	ADDITIONAL INFORMATION
		CHECKED	05		CHECKED	
		APPROVED			APPROVED	
			DRG. REDRAWN.			STATUS OF DRAWING
			(D.C.A. NO. 23001)			
			DISTRIBUTION OF PRINTS			SWE
						SWM
						TCX
						1
						3
						1



REF. DRG. NO.	65		7525	2729	58	59	34	45	55	56	58	65	
	REMARKS		ITEM NO.	DESCRIPTION			STD	MATL. CODE	A	C	UNIT WT.		
SIGN. & DATE	28		28			28							
	CARD TYPE-3		CARD TYPE-1			CARD TYPE-2							
INVENTORY NO.	विभाग DEPT		अन. टोल. नाप की त्रेणी UNTO.L.DIMS. GR.		अनुपात SCALE		भार कि.ग्रा. WEIGHT (K.G.)		उपे.ड्राईंग का संदर्भ REF. TO ASSY. DRG.		मद क. मद संख्या NO. OF ITEM		
	कोड CODE		AA 0230208		1:1		-		-		-		
 भारत हेवी इलेक्ट्रीकल्स लिमिटेड BHARAT HEAVY ELECTRICALS LTD. BHOPAL								नाम NAME इ.सं.ता. SIGN दिनांक DATE वे.रि. की संख्या NO. OF VAR.		खनाया DRN जीया CKD अनुमोदित APPD			
								I.J.S.		29.03.78		-	
								B.S.R.		30.03.78		-	
								R.M.		31.03.78		-	
स्लिपक/ TITLE								आरेख क्र./DRAWING NO.		पुन./REV.			
SLIDE SHOE								5200036		05			
(ON LOAD TAP CHANGER)								पृष्ठ क्र./SHT. No.		पृष्ठों की संख्या/No. OF SHT.			
								01		01			