

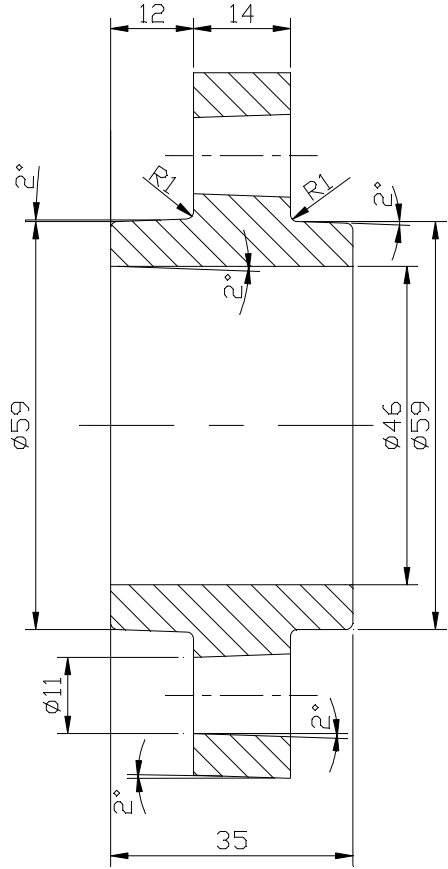
FIRST ANGLE PROJECTION

(ALL DIMENSIONS ARE IN mm)

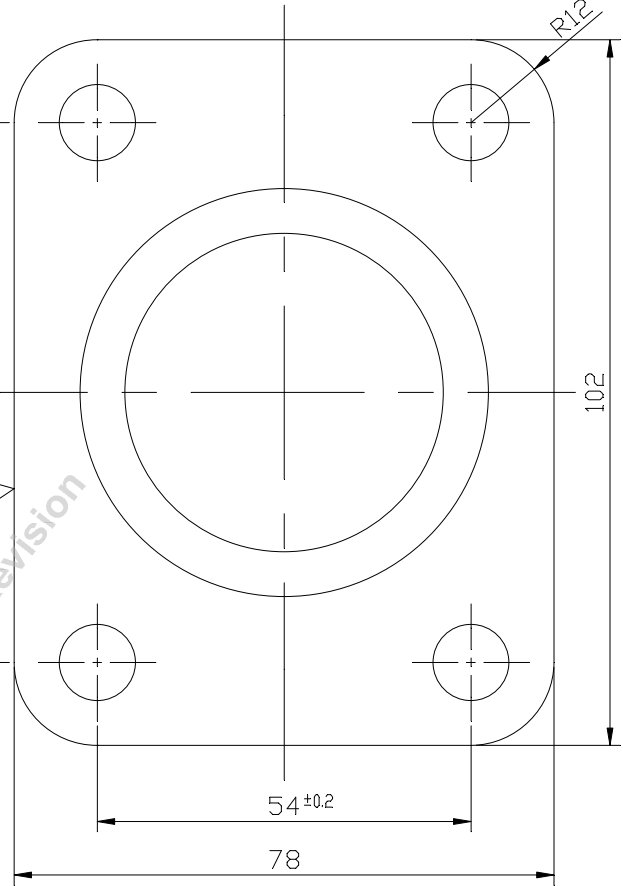
THE INFORMATION ON THIS DOCUMENT IS THE PROPERTY OF BHARAT HEAVY ELECTRICALS LIMITED
IT MUST NOT BE USED DIRECTLY OR INDIRECTLY IN ANY WAY DETRIMENTAL TO THE INTEREST OF THE COMPANY

REV.	DATE	ALTERED	REV.	DATE	ALTERED AKU	ADDITIONAL INFORMATION
		CHECKED			CHECKED SKP	
		APPROVED			APPROVED SK	
			03 12.04.05		STATUS OF DRAWING	
			DRAWING REDRAWN		DISTRIBUTION OF PRINTS	
			(DCA NO. 22781)		SWM	SWE
					1	3
					TEX	1

TOOL LIST		
ITEM	TOOL	DESCRIPTION
-	1463666	GRAVITY DIE CASTING



EMBOSS SUPPLIER NAME MONTH YEAR & HEAT NO. AS PER SG.-15005
78±0.3



ALL EDGES RADIUS NOT SHOWN = R1

5233940-R02-S01
REF. DRG. NO.

SIGN. & DATE

INVENTORY NO.

001	ALUMINIUM ALLOY GRAVITY DIE CASTING	AA 19953	KG	0.30
ITEM NO.	DESCRIPTION	MATL. CODE	UNIT	UNIT WT.
7525 2729	58 59 46	54 55 56 68		71
REMARKS		MATL. SPCN.		QTY.

28 → CARD TYPE-3 28 → CARD TYPE-1 28 → CARD TYPE-2

	भारत हेवी इलेक्ट्रिकल्स लिमिटेड भोपाल		नाम NAME	हस्ताक्षर SIGN	दिनांक DATE	वे. र. की संख्या NO. OF VAR.	
	BHARAT HEAVY ELECTRICALS LTD. BHOPAL		वर्तमान DRN	V.KUMAR	Sd/-	01.02.78	
			जांचा CKD	BSR	Sd/-	04.02.78	
			अनुमोदित APPD	TKG	Sd/-	05.02.78	

विभाग DEPT SVE	अन. टोल. नाप की श्रेणी UNTOOL.DIMS. GR.		अनुपात SCALE	भार. कि.ग्रा. WEIGHT (K.G.)	असे.ड्राईंग का संदर्भ REF. TO ASSY. DRG.	मद क्र. ITEM NO.	मद संख्या NO. OF ITEM
कोड CODE 409	AA0230208		1:1	-	5050107		001
शीर्षक/TITLE					आरेख क्र./DRAWING NO.	पुन./REV.	
BEARING FLANGE (ON LOAD TAP CHANGER)					5233940	03	
					पृष्ठ क्र./SHT. No. 01	पृष्ठों की संख्या/NO. OF SHT. 01	