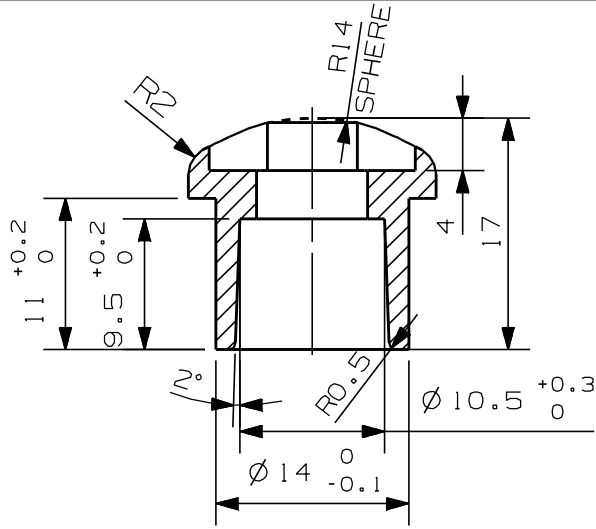


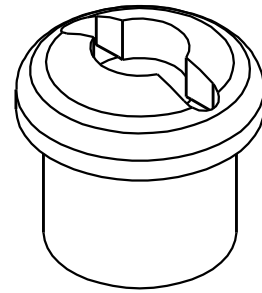
FIRST ANGLE PROJECTION (ALL DIMENSIONS ARE IN MM.)

BHARAT HEAVY ELECTRICALS LIMITED  
THE INFORMATION ON THIS DOCUMENT IS THE PROPERTY OF  
IT MUST NOT BE USED DIRECTLY OR INDIRECTLY IN ANY WAY DETERMENTAL TO THE INTEREST OF THE COMPANY.

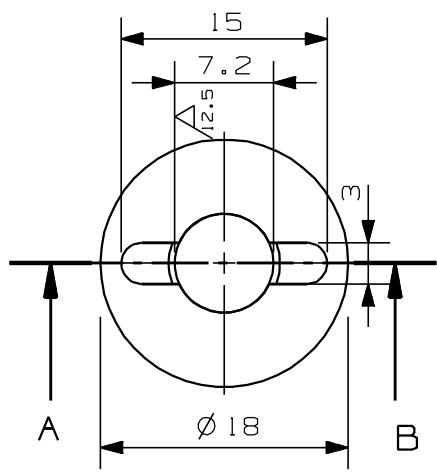
REV.	DATE	ALTERED	REV.	DATE	ALTERED	DAuto	ADDITIONAL INFORMATION
		CHECKED	05	05.07.11	CHECKED	K.S.	
		APPROVED			APPROVED	S.K.P.	
				DRAWING REDRAWN ON UG			STATUS OF DRAWING
				DISTRIBUTION OF PRINTS			SWE 1
							SWM 3
							TCX 1



SECTION A-B



ISO VIEW



TOP VIEW

TOOL LIST		
ITEM	TOOL	DESCRIPTION
--	1463677	GRAVITY DIE CASTING



REMARKS	001	ALUMINIUM ALLOY DIE CASTING			KG	0.10
			AA 19953			001
	ITEM NO.	DESCRIPTION	STD.	MATL CODE	A/C	UNIT
				MATL. SPECN.		QTY.



BHARAT HEAVY ELECTRICALS LTD.  
BHOPAL

DRN.	NAME	SIGN.	DATE	NO. OF VAR
	P.V.S.	Sd/-	16.11.76	
CKD.	I.J.S.	Sd/-	26.11.76	--
APPD.	B.S.R.	Sd/-	26.11.76	

DPT. SWE	UNTOL. DMS. GR.	SCALE	WEIGHT (K.G.)	REF. TO ASSY. DRG.	ITEM NO.	NO. OF ITEM
CODE 409	M AA0230208	2:1		5008112, 115, 5012767 5014318, 5014319		

TITLE	DRAWING NO.	REV.
RETAINING CAP (ON LOAD TAP CHANGER)	5236990	05
	SHT NO. 01	NO. OF SHT 01

INVENTORY NO. AND DATE  
SIGN. REF. DRG. NO. 5236990-R04-S01