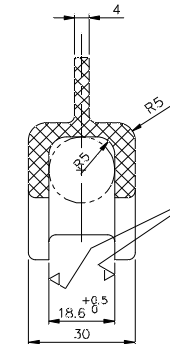
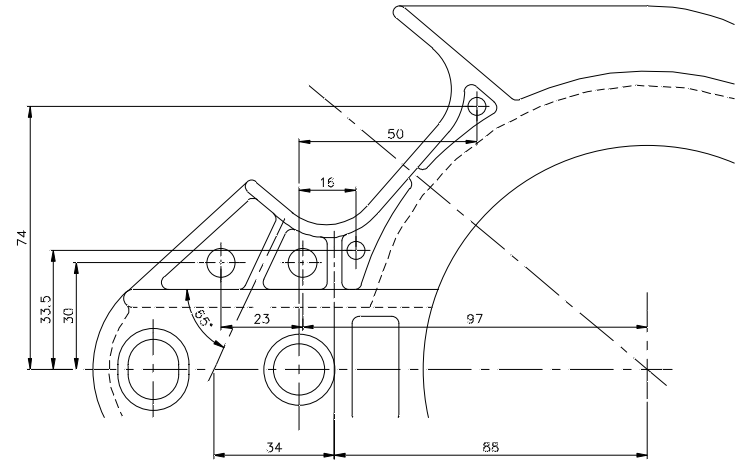
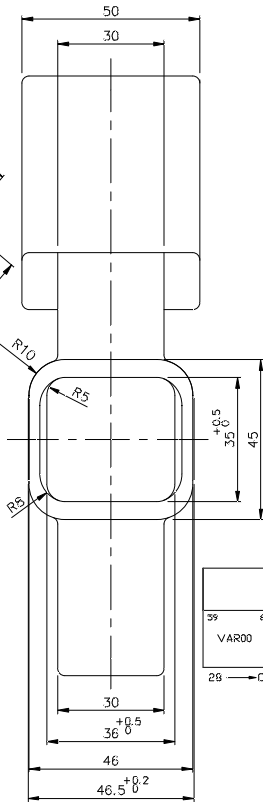
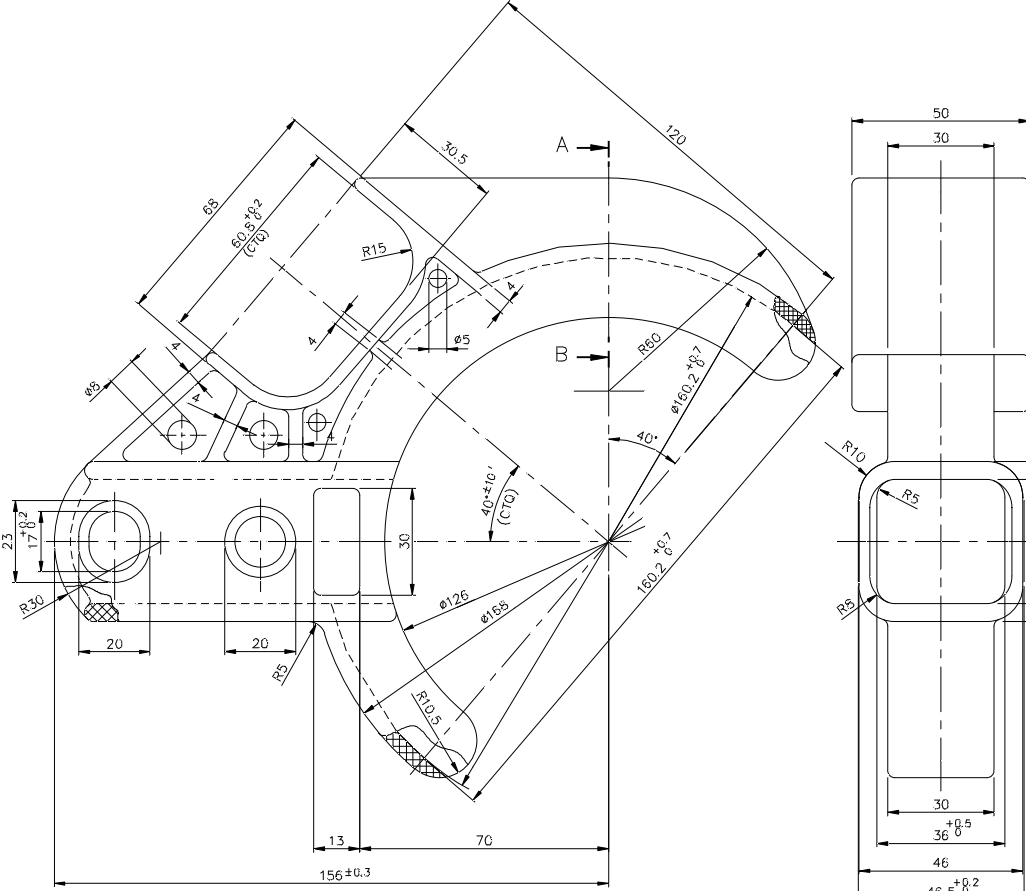
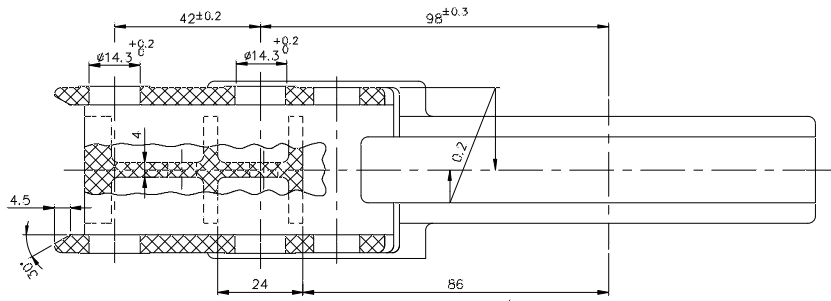


DRAWING NO. 5262720

THE INFORMATION ON THIS DOCUMENT IS THE PROPERTY OF BHARAT HEAVY ELECTRICALS LIMITED. IT MUST NOT BE USED DIRECTLY OR INDIRECTLY IN ANY WAY DETRIMENTAL TO THE INTEREST OF THE COMPANY.



THESE SURFACES SHOWN TO BE SMOOTH, FREE FROM FLUSHES & BURRS.

- RADIUS NOT SHOWN = R2.

MOULDING TOLERANCE DIN 16901-130
MOULD TAPER - 1'

ALTERNATIVE MATERIAL:-
30% GLASS FILLED NYLON MOULDING. (GRADE-CF3H OF GSFC)

| | | | | | | | | |
|-------|---------|---------|-----|--|-------------|-----------|-------|-----|
| VAR00 | REMARKS | VAR NO. | 001 | POLYIMIDE-11 GLASS FIBRE REINFORCED MOULDING | DRAWING NO. | SG-10011. | 0.206 | 001 |
| 72 | 73 | 74 | 75 | 76 | 77 | 78 | 79 | 80 |
| 39 | 64 | 65 | 70 | 71 | 72 | 73 | 74 | 75 |
| 76 | 77 | 78 | 79 | 80 | 81 | 82 | 83 | 84 |
| 85 | 86 | 87 | 88 | 89 | 90 | 91 | 92 | 93 |
| 94 | 95 | 96 | 97 | 98 | 99 | 00 | 01 | 02 |

| | | | | |
|------------------------|----------|---------------|---|--------------------|
| ADDITIONAL INFORMATION | | | TYPE OF PRODUCT OR NAME OF CUSTOMER / PROJECT | |
| STATUS OF DRAWING | | | ON LOAD TAPCHANGER | |
| DISTRIBUTION OF PRINTS | | | B | |
| SWE | SWM | TCX | BHARAT HEAVY ELECTRICALS LTD. BHOPAL | |
| 1 | 3 | 1 | DRN. | NAME P.V.S. |
| | | | CKD. | SIGN Sd/- |
| | | | APPD. | DATE 16.11.76 |
| | | | | UNIT WT. 0.206 |
| | | | | UNIT QTY. 15.12.76 |
| REV. | DATE | ALTERED | DEPT. | UNTOL. |
| 04 | 29.07.09 | CHECKED KIRTI | SWE | DIMS GR. |
| | | APPROVED SKP | 409 | M |
| ZONE | | | SCALE | WEIGHT |
| | | | 1:1 | (K.G.) |
| | | | | REF. TO ASSY. DRG. |
| | | | | 5008115, 5012767 |
| | | | | 5014318, 5014319 |
| | | | TITLE | ITEM NO. |
| | | | CONTACT BRIDGE | 001 |
| | | | | REV |
| | | | | 04 |
| | | | DRAWING NO. | NO. OF SHEETS |
| | | | 5262720 | 01 |
| | | | SHEET NO. 01 | |

| | | | |
|---------------|--------------|-----------------|---------------|
| INVENTORY NO. | STON. & DATE | 5262720-R03-501 | REV. DRG. NO. |
| REV. | DATE | ALTERED | REV. |
| | | CHECKED | |
| | | APPROVED | |
| ZONE | | | ZONE |