

THE INFORMATION ON THIS DOCUMENT IS THE PROPERTY OF BHARAT HEAVY ELECTRICALS LIMITED IT MUST NOT BE USED DIRECTLY OR INDIRECTLY IN ANY WAY DETRIMENTAL TO THE INTEREST OF THE COMPANY

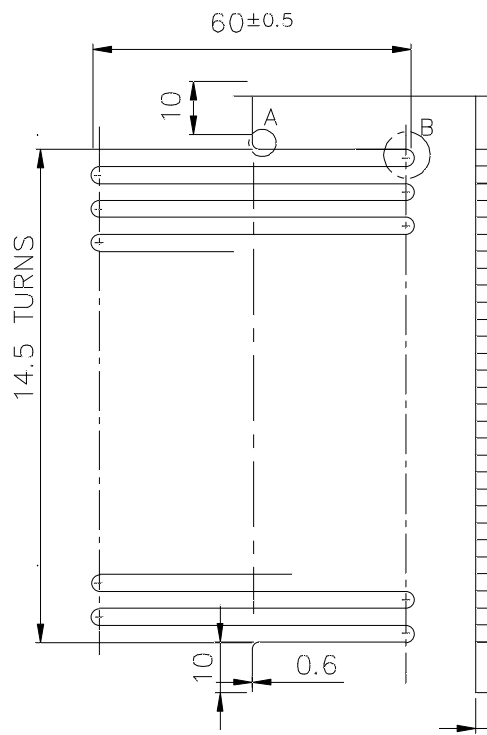
FIRST ANGLE PROJECTION

(ALL DIMENSIONS ARE IN mm)

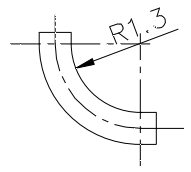
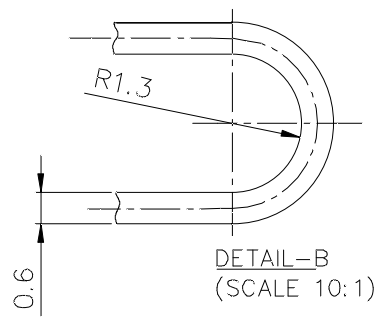
REV.	DATE	ALTERED	REV.	DATE	ALTERED	AKU	ADDITIONAL
		CHECKED	04	27.07.09	CHECKED	KIRTI	INFORMATION
		APPROVED			APPROVED	SKP	

mat spec BP12795 & tolerance of $\pm 5\%$ on res value added. Title was meander shaped resistor.
(D.C.A. NO.29064)

STATUS OF DRAWING	DISTRIBUTION	SWE	SWM	TCX
	CF PRINTS	1	3	1



TOOL LIST		
ITEM	TOOL	DESCRIPTION
-	1520375	BENDING TOOL



Resistance value $R=0.84 \pm 5\% \Omega$

5530183-R03-S01
REF. DRG. NO.

001	0.6X4X1797LG 80-20 AUST.NICR ALLOY STRIP	BP12795	KG.	0.036
REMARKS	DESCRIPTION	MATL. CODE	UNIT	UNIT WT.
		MATL. SPCN.	QTY.	

28 → CARD TYPE-3 28 → CARD TYPE-1 28 → CARD TYPE-2

HAKjr gsoh bysDV&hdYi fyfeVsM
HAKsiky
BHARAT HEAVY ELECTRICALS LTD.
BHOPAL

NAME	SIGN	DATE	dh
V.KUMAR	Sd/-	03.03.77	NO. OF VAR.
BSR	Sd/-	07.03.77	
BSS	Sd/-	15.03.77	

DEPT SWE	UNTL DMS. GR.	SCALE	HAkj fd_xk- WEIGHT (K.G.)	vis_M&kbZux dk lonHAZ REF. TO ASSY. DRG.	en d- ITEM NO.	en lo[k NO. OF ITEM
409	AA 0230208	1:1 (10:1)	-	5014069	-	001
TRANSITION RESISTOR (ON LOAD TAP CHANGER)				5530183	04	

INVENTORY NO.

'Ah"AZd@

i="B d-SM. No. 01 i="Bkso dh lo[kk@ CF SHT. 01