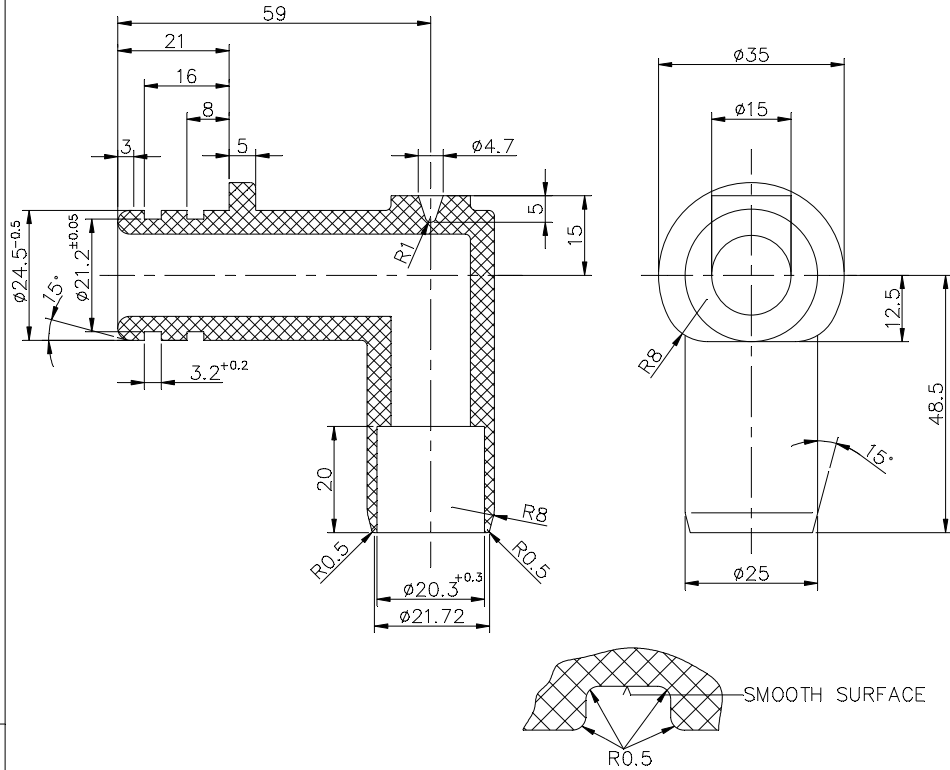


THE INFORMATION ON THIS DOCUMENT IS THE PROPERTY OF BHARAT HEAVY ELECTRICALS LIMITED IT MUST NOT BE USED DIRECTLY OR INDIRECTLY IN ANY WAY DETRIMENTAL TO THE INTEREST OF THE COMPANY

FIRST ANGLE PROJECTION

(ALL DIMENSIONS ARE IN mm)

REV.	DATE	ALTERED	REV.	DATE	ALTERED	ADDITIONAL INFORMATION
		CHECKED	01		CHECKED	
		APPROVED			APPROVED	
DRAWING REDRAWN			STATUS OF DRAWING			
(D.C.A. NO. 23743)			DISTRIBUTION OF PRINTS	SWE	SWM	TCX
			1	3	1	



DETAIL-X SCALE 5:1

5076680-R00-S01 REF. DRG. NO.

001	GLASS FIBRE REINFORCED PLASTIC MOULDING	SG-10015	KG	001
REMARKS	DESCRIPTION	MATL. CODE	UNIT WT.	
		MATL. SPCN.	QTY.	

28 → CARD TYPE-3	28 → CARD TYPE-1	28 → CARD TYPE-2																
<p>भारत हेवी इलेक्ट्रिकल्स लिमिटेड भोपाल BHARAT HEAVY ELECTRICALS LTD. BHOPAL</p>		<table border="1"> <tr> <th>नाम</th> <th>हस्ताक्षर</th> <th>दिनांक</th> <th>वे. रि. की संख्या</th> </tr> <tr> <td>DRN</td> <td>AKU</td> <td>sd/-</td> <td>13.11.76</td> </tr> <tr> <td>CHKD</td> <td>BSR</td> <td>sd/-</td> <td>27.11.76</td> </tr> <tr> <td>APPROD</td> <td>BSS</td> <td>sd/-</td> <td>12.12.76</td> </tr> </table>	नाम	हस्ताक्षर	दिनांक	वे. रि. की संख्या	DRN	AKU	sd/-	13.11.76	CHKD	BSR	sd/-	27.11.76	APPROD	BSS	sd/-	12.12.76
नाम	हस्ताक्षर	दिनांक	वे. रि. की संख्या															
DRN	AKU	sd/-	13.11.76															
CHKD	BSR	sd/-	27.11.76															
APPROD	BSS	sd/-	12.12.76															

विभाग DEPT SWE कोड CODE 409	उम. टल. नाप की श्रेणी UNTO. DIMS. GR. M AA 0230208	अनुपात SCALE 1:1	भार वजन WEIGHT (K.G.)	संदर्भ संख्या REF. TO ASSY. DRG.	मद क्र. ITEM NO.	मद संख्या NO. OF ITEM 001
शीर्षक/TITLE ELBOW				आरेख क्र./DRAWING NO. 5560154		पृष्ठ/REV. 01
पृष्ठ क्र./SHT. No. 01				पृष्ठों की संख्या/NO. OF SHT. 01		