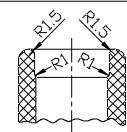
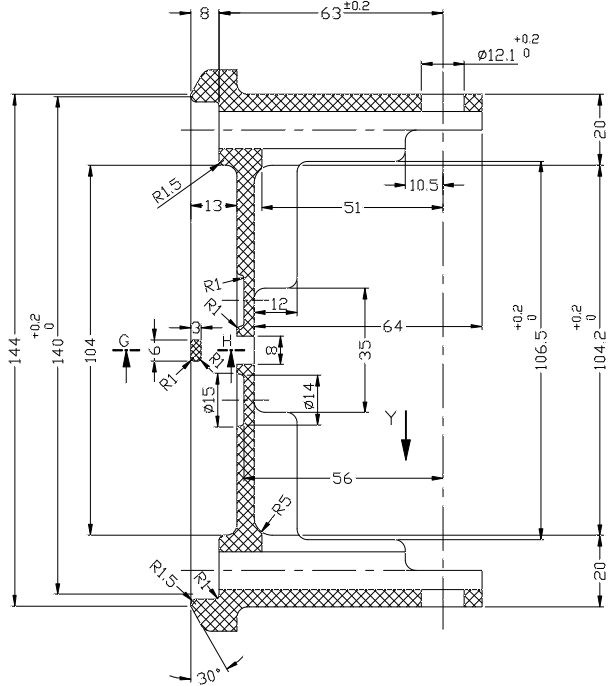


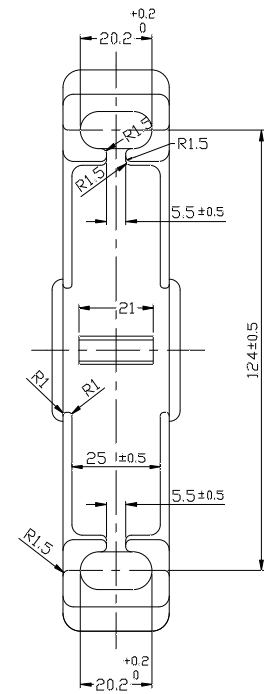
PART SECTION A-B



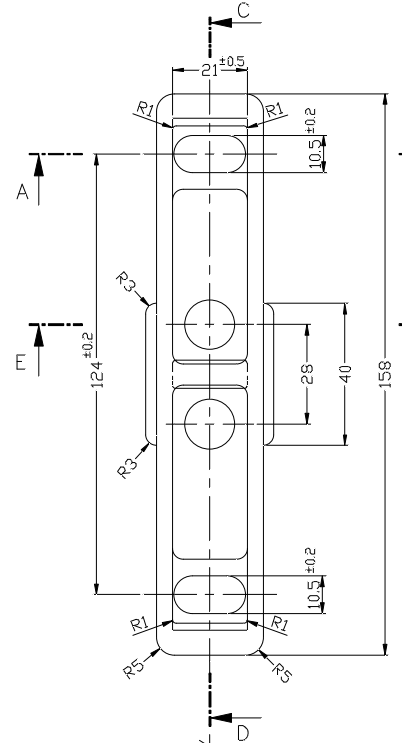
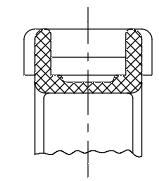
SECTION C-D



DETAIL X



PART SECTION E-F

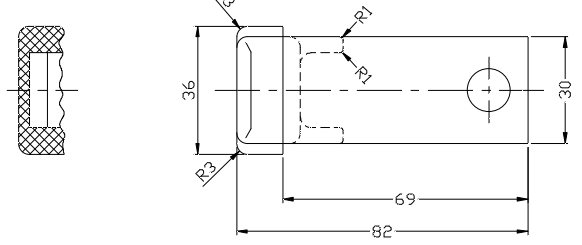


MOULD PARTING

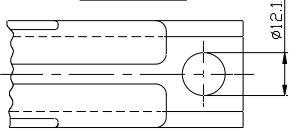
MOULD TAPER - 30°

RADIUS NOT SHOWN = R3


PART SECTION G-H



DETAIL Y



59	64	65	75	76	79	85	87	89	91	94	95	96	99	50	65	72
VAR.00	REMARKS	VAR. NO.	ITEM NO.	DESCRIPTION	STN.	DRAWING NO.	IT. NO.	MATL. CODE	54	55	56	57	58	UNIT WT.	68	72
				POLYAMIDE-11 GLASS FIBER REINFORCED MOULDING				SG-10011.						QTY.	71	73
				2B -> CARD TYPE-3				2B -> CARD TYPE-1				2B -> CARD TYPE-2				

ADDITIONAL INFORMATION				mRikn dk i-dkj ; k xk-g@fjstjuk dk uke TYPE OF PRODUCT OR NAME OF CUSTOMER/PROJECT			
STATUS OF DRAWING				ON LOAD TAPCHANGER			
DISTRIBUTION OF PRINTS				 HAKjr gsoh bysDV&dYl fyteVsM HAKsiky BHARAT HEAVY ELECTRICALS LTD. BHOPAL			
SWE	SWM	TCX		uke@NAME	qlrk_@SIGN	fnuck@DATE	ostf_ch
1	3	1		V.KUMAR	Sd/-	21.12.76	tel;k
				BSR	Sd/-	03.1.77	NO. OF
				BSS	Sd/-	04.1.77	VAR.

REV.	DATE	ALTERED	REV.	DATE	ALTERED
		CHECKED			CHECKED
		APPROVED			APPROVED
02	05.1.05	CHECKED			
		APPROVED			
DRG. REDRAWN		f@HAKx hu_vky_uki dn jskk DEPTSWE UNTL. DIMS. GR dksM CODE409			
(DCA NO. 21837)		v@qkr HAKd fd_@ SCALE 1:1 HAKd fd_@ WEIGHT(kg.)			
		-@s_M@kbZ@x dk l@rHAZ REF. TO ASSY. DRG.			
		en d- ITEM NO.			
		M@kbZ@x DR@WING NO. 5560163			
		iou_			
		REV. 02			

STAR POINT HOUSING			
M@kbZ@x DR@WING NO. 5560163			
iou_			
REV. 02			

THE INFORMATION ON THIS DOCUMENT IS THE PROPERTY OF BHARAT HEAVY ELECTRICALS LIMITED. IT MUST NOT BE USED DIRECTLY OR INDIRECTLY IN ANY WAY DETRIMENTAL TO THE INTEREST OF THE COMPANY.

INVENTORY NO. SIGN AND DATE REF. DRG. NO.