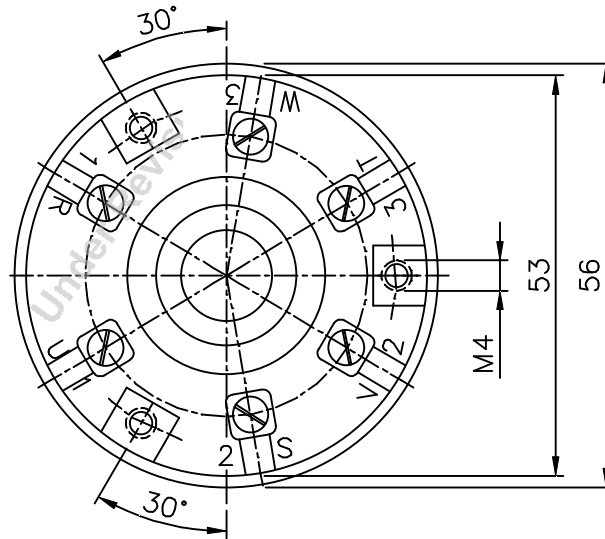
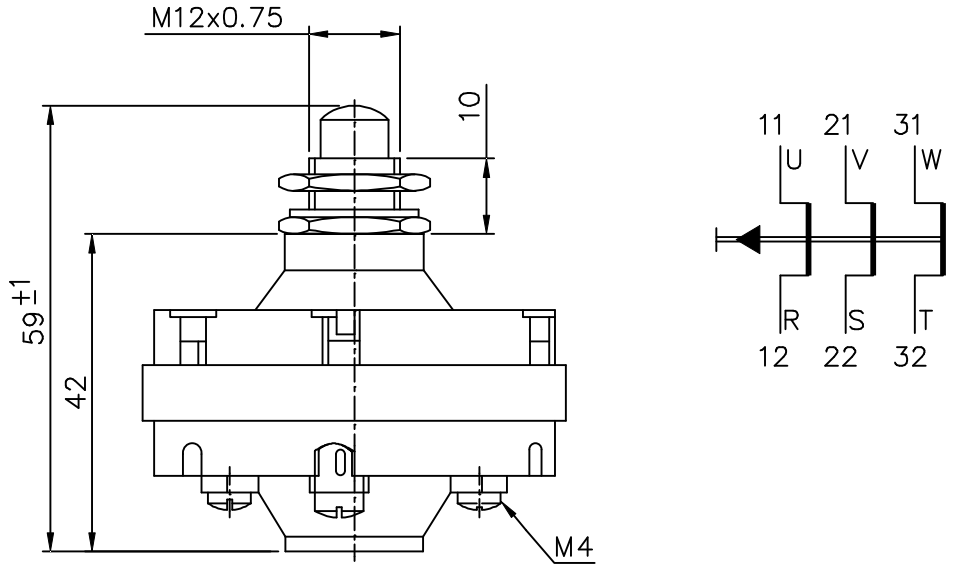


THE INFORMATION ON THIS DOCUMENT IS THE PROPERTY OF BHARAT HEAVY ELECTRICALS LIMITED
IT MUST NOT BE USED DIRECTLY OR INDIRECTLY IN ANY WAY DETRIMENTAL TO THE INTEREST OF THE COMPANY

| | | | | | | | | | |
|--------------------------------------|------|----------|------|------|----------|------------------------|-----|-----|-----|
| REV. | DATE | ALTERED | REV. | DATE | ALTERED | ADDITIONAL INFORMATION | | | |
| | | CHECKED | 01 | | CHECKED | STATUS OF DRAWING | | | |
| | | APPROVED | | | APPROVED | DISTRIBUTION OF PRINTS | SWE | SWM | TCX |
| DRG. REDRAWN. (D.C.A. NO. 22043) | | | | | | 1 | 3 | 1 | |

3 POLE DESIGN WITH NORMALLY OPEN CONTACT
SWITCH CAPACITY 25 A(10) 380 V ~.
MAKE-MARQUARDT TYPE-1380.0401



BOTTOM VIEW

| | | | | | | | | | | | | | | | | |
|----------------------------------|------------------|---|--|---------------------------|---|---------------------|---|---------------------|------------------------------|------------------------------|-------------------------|---------------------------|----|------|----------|----|
| 5582370-R00-S01 REF. DRG. NO. | 65 | REMARKS | 7525 | 2729 | ITEM NO. | DESCRIPTION | 58 | 59 | 34 | MATL. CODE | 45 | 55 | 56 | 58 | UNIT WT. | 65 |
| | | | | | | | | STD | 46 | MATL. SPCN. | 54 | UNIT | 68 | QTY. | 71 | |
| SIGN. & DATE | 28 → CARD TYPE-3 | | 28 → CARD TYPE-1 | | 28 → CARD TYPE-2 | | HAKjr gsoh bysDV&hdYl fyfeVsM HAKsiky BHARAT HEAVY ELECTRICALS LTD. BHOPAL | | uke NAME cuk;k DRN H.L.C. | qlrk SIGN Sd/- | frugkd DATE 19.09.82 | osfj_ dh NO. OF VAR. - | | | | |
| | foHAKx DEPT SWE | vu_ Vky_ uki dh Js.kh UNTOL.DIMS. GR. M | vuqjkr SCALE 1:1 | HAKj fd_xk_ WEIGHT (K.G.) | vis_M&kbZax dk lanHAZ REF. TO ASSY. DRG. 5018573 | en d_ ITEM NO. - | en la;k NO. OF ITEM 001 | | | | | | | | | |
| INVENTORY NO. | cksM CODE 409 | AA 0230208 | 'Ah'AZidc LIMIT SWITCH (ON LOAD TAP CHANGER) | | vkjs[A d-DRAWING NO. 5582370 | | iquREV. 01 | | | | | | | | | |
| | | | | | | | | i="B d_ ser. No. 01 | | i="Bksa dh la; NO OF SHT. 01 | | | | | | |